

Standard Buccaneer Waterproof Electrical Cable Connector

Wiring and Assembly Instructions

Buccaneer connectors are available in 2, 3, 4, 6, 7, 9, 12 or 25 pin and BNC coaxial versions (50/75Ω).

It is important that these instructions are fully complied with to ensure the product is completely watertight and electrically safe - IF IN DOUBT CONSULT A QUALIFIED ELECTRICIAN.

Always wire the socket insert to supply, and the plug insert to appliance. Plug/socket inserts can be fitted into any style of main body to give correct plug/socket combination for your application.

IMPORTANT SAFETY NOTICE

For your protection all mains (250V) equipment used out of doors, in damp or wet conditions should be supplied from a correctly fused source and protected by an approved R.C.D. Eg: BS7071, BS7288, BS4293, BSEN61008 or BSIEC1008.

IF IN DOUBT SEEK ADVICE

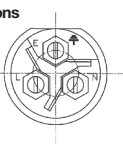
Use smooth circular cable only (6-8mm dia). Other cable glands are available to suit different cable diameters, please enquire.

ASSEMBLY/WIRING INSTRUCTIONS

- To remove plug or socket inserts for wiring, use cap assembly tool to unscrew locking ring.
- As appropriate to main body type, thread cable through component parts as shown in the illustrations.
- Strip insulation from cable as shown in Flex Mounting diagram.
- 2 to 7 pole inserts:**
Insert bare wire ends into terminals on plug/socket insert and fully tighten screws.
Note: If connector is to be used on mains voltage ensure that wires are connected as shown below.

Mains Wire Connections

Important - connect wires Brown to terminal L, Blue to terminal N and Green/Yellow to terminal E



9 pole inserts:

Pins and sockets are supplied loose for pre-crimping. Crimping tools (including hand versions) and a contact extraction device are available. Please enquire.

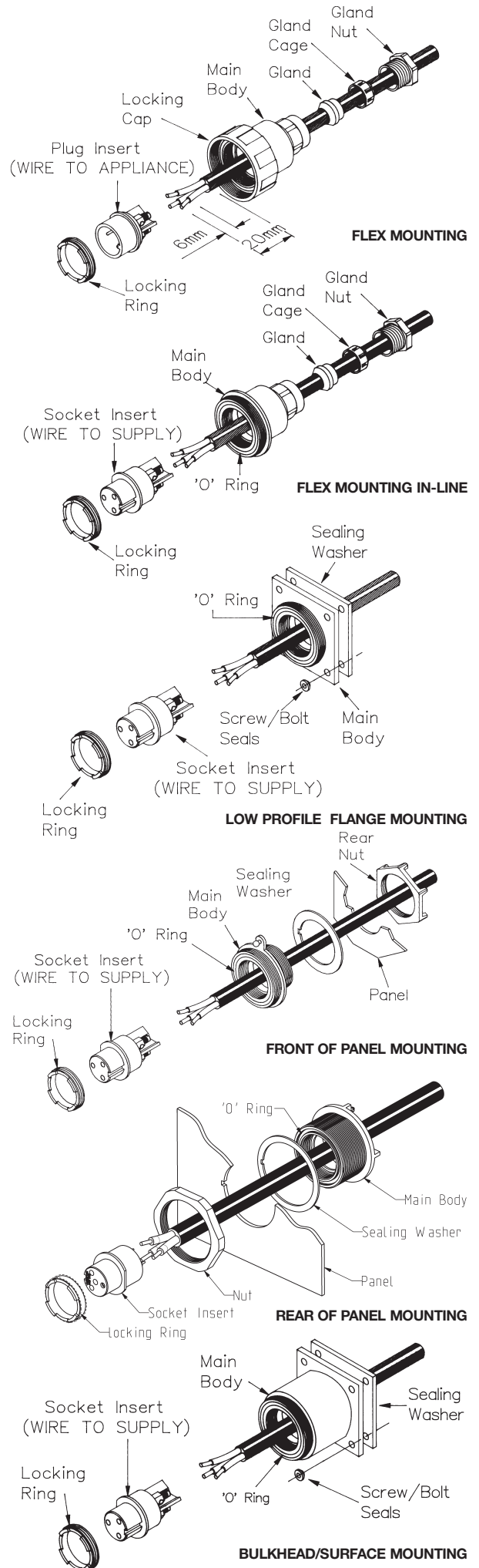
12 and 25 pole inserts:

Pins and sockets are supplied loose for pre-crimping and pre-soldering. Crimping tools (including hand version) and a contact extraction device are available. Please enquire.

- After connecting wires, draw cable back until plug/socket insert is correctly seated in D shaped location in the main body. Screw home locking ring using cap assembly tool.
- For cable mounted units, slide gland cage and gland down cable and into main body then screw gland nut fully home. It is essential to ensure that the gland nut is fully tightened to ensure cable is securely sealed and clamped. For panel, bulkhead and flange units correctly seat sealing washer and main body onto mounting surface and screw down using rear nut or screw/bolts with seals. Ensure seals and glands are kept clean. Locking cap secures plug to socket.

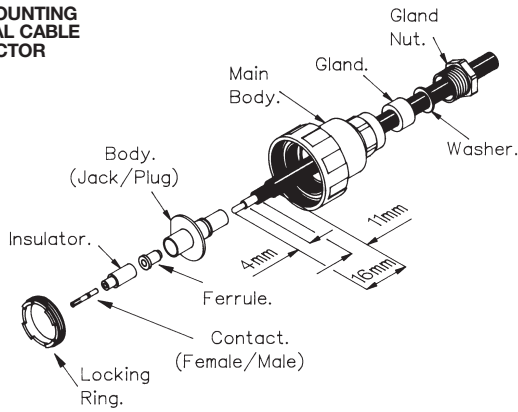
Note:

To ensure that the correct sealing properties of the connector are achieved it is imperative that all 'O' rings are correctly located and seated before assembly. Please refer to the exploded diagrams for the locations of these seals.

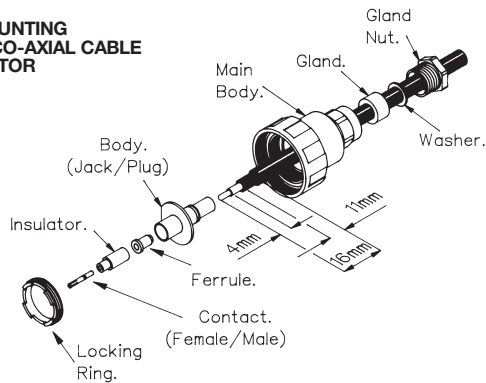


Assembly Instructions Buccaneer R.F. Insert (BNC Compatible)

FLEX MOUNTING CO-AXIAL CABLE CONNECTOR



FLEX MOUNTING IN-LINE CO-AXIAL CABLE CONNECTOR



For use with cables:

50Ω - URM 76, URM 43, RG58c/u.

75Ω - URM 70.

Crimp Tool - Hex Cavities,

Centre Contact 1.69 A/F (B.S. 'W'/ERMA XA.)

Braid 6.48 A/F (B.S. 'E'/ERMA XH.)

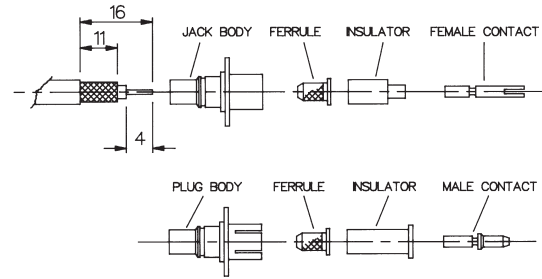
1 Flex Mount

Fit gland nut, washer, gland & main body loosely over cable, followed by BNC plug/jack metal body.

Chassis/Bulkhead

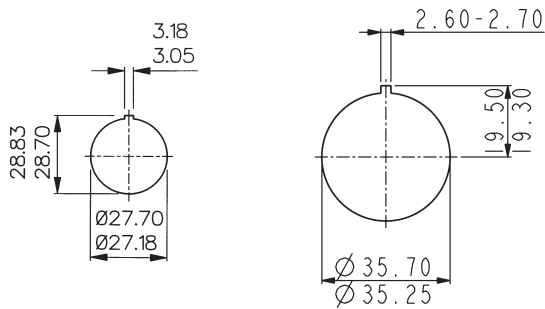
Fit main body to chassis/bulkhead, ensuring sealing washer(s) are in position. Then assemble BNC plug/jack body to cable.

- 2 Crimp centre contact onto cable centre conductor (butting to cable inner insulator).
- 3 Slide knurled ferrule over contact & cable inner insulator & under cable braid.
- 4 Snap-Fit insulator over centre contact (support insulator with assembly mandrel, or against hard surface).
- 5 Push body over assembly, pressing insulator, until ferrule bottoms in body. (SA3155 assembly mandrel is available to aid assembly if required).
- 6 Crimp body to secure cable braid.
- 7 Lock BNC body flange into main body using locking ring. Ensure correct alignment of flat.
- 8 At cable entry, seat gland & washer, tighten gland nut to seal (for flex mount).



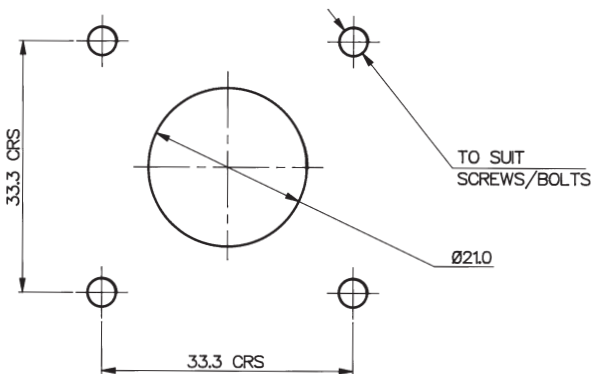
CABLE TRIM & PIECE PARTS

PANEL CUT-OUTS



FRONT PANEL MOUNTING

REAR PANEL MOUNTING



BULKHEAD/SURFACE MOUNTING

SEALING CAP/ASSEMBLY TOOL



Buccaneer®

IP68 & IP69 Waterproof Connectors

Wiring and Assembly Instructions

