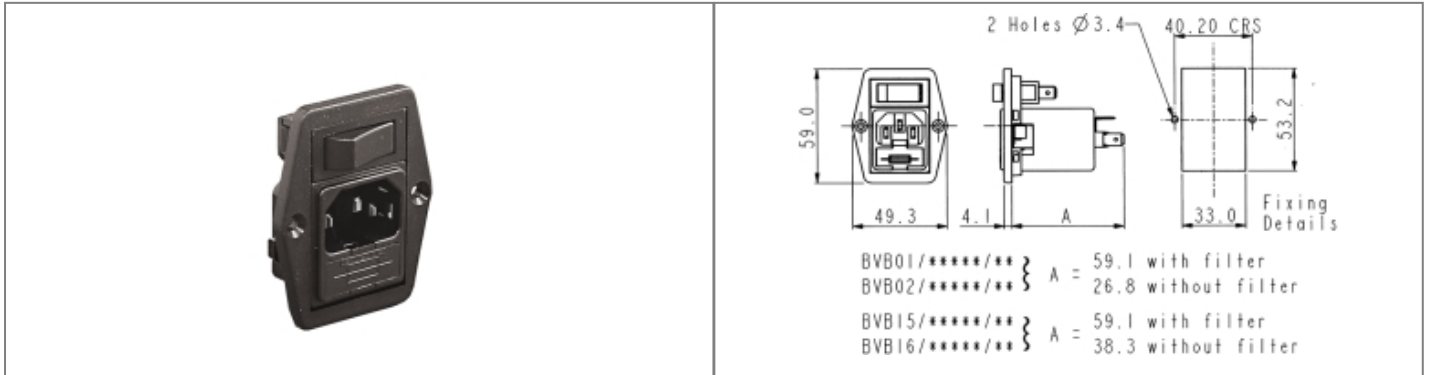


Product Name // Vertical Power Entry Module 59mm Side Fixing Flange Mount C14 Cold Condition Inlet Integral Single Fused (PF0011) 6.3mm Tab Termination A0130 Filter (1A PS21/A L/C v3) Single Contact Illuminated Switch Marked I/O Green

[View Product Page](#)


// Product Description:

- ⊞ Vertical Power Entry Module 67.5mm/81.5mm (part codes prefixed BVA) and 59mm/72.3mm (part codes prefixed BVB)
- ⊞ Screw fix to panel via choice of fixing flanges, depending on part code:
- ⊞ Part codes prefixed BVA: Top fixing flanges
- ⊞ Part codes prefixed BVB: Side fixing flanges
- ⊞ C14 Cold Condition Inlet with integral fuseholder(s) depending on part code:
- ⊞ Part codes prefixed BVA01, BVB01, BVA02, BVB02: PF0011 Single Fused Inlet
- ⊞ Part codes prefixed BVA15, BVB15, BVA16, BVB16: PF0033 Twin Fused Inlet
- ⊞ Choice of Termination depending on part code:
- ⊞ Part codes prefixed BVA01, BVB01, BVA15, BVB15: 6.3mm Tab
- ⊞ Part codes prefixed BVA02, BVB02, BVA16, BVB16: 2.8mm Tab
- ⊞ Choice of mains filter depending on part code:
- ⊞ Part codes containing /Z0000 are unfiltered
- ⊞ Choice of mains filter options (part codes containing codes starting /A)
- ⊞ Choice of many other options as specified by individual part code, including indicators, illuminated switches, switch markings, etc

// General Information:

Product Display Title:	Vertical Power Entry Module 67.5mm/81.5mm (part codes prefixed BVA) and 59mm/72.3mm (part codes prefixed BVB)
Product Family:	IEC Connectors
Product Series:	Power Entry Modules
Current Max:	1A
Filter Type:	1A PS21/A L/C v3
Function:	C14 Inlets
Fuseholder Inlet Type:	Integral Single Fused
iec Connector Components:	None
iec Connector Mates With:	PF0011
iec Filter Options:	A0130
iec Neon Colour:	Green
iec Vertical Module Height:	59mm
Inlet Type:	C14 Cold Condition Inlet
Switch Type:	Single Contact Marked I/O Illuminated
Voltage Max:	250V

// Product PDF Links

[Power Entry Modules product data](#)

// Product 3D CAD Model Links

[BVB01/A0130/743D CAD Model](#)