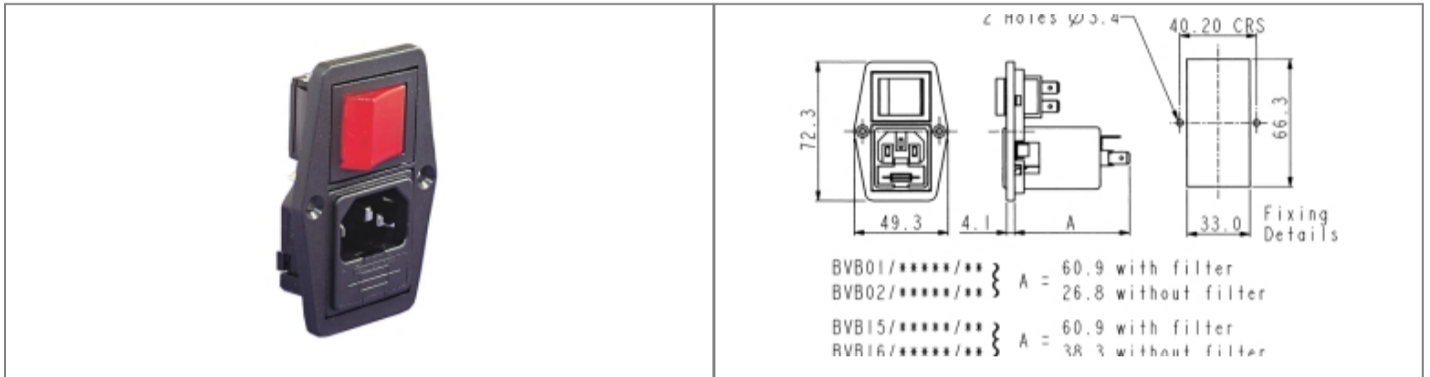


**Product Name // Vertical Power Entry Module 72.3mm
 Side Fixing Flange Mount C14 Cold Condition Inlet Integral
 Single Fused (PF0011) 2.8mm Tab Termination A0120 Filter
 (1A PS21/A L/C v2) Double Contact High Inrush Switch
 Marked I/O**

[View Product Page](#)


// Product Description:

- ⊖ Vertical Power Entry Module 67.5mm/81.5mm (part codes prefixed BVA) and 59mm/72.3mm (part codes prefixed BVB)
- ⊖ Screw fix to panel via choice of fixing flanges, depending on part code:
- ⊖ Part codes prefixed BVA: Top fixing flanges
- ⊖ Part codes prefixed BVB: Side fixing flanges
- ⊖ C14 Cold Condition Inlet with integral fuseholder(s) depending on part code:
- ⊖ Part codes prefixed BVA01, BVB01, BVA02, BVB02: PF0011 Single Fused Inlet
- ⊖ Part codes prefixed BVA15, BVB15, BVA16, BVB16: PF0033 Twin Fused Inlet
- ⊖ Choice of Termination depending on part code:
- ⊖ Part codes prefixed BVA01, BVB01, BVA15, BVB15: 6.3mm Tab
- ⊖ Part codes prefixed BVA02, BVB02, BVA16, BVB16: 2.8mm Tab
- ⊖ Choice of mains filter depending on part code:
- ⊖ Part codes containing /Z0000 are unfiltered
- ⊖ Choice of mains filter options (part codes containing codes starting /A)
- ⊖ Choice of many other options as specified by individual part code, including indicators, illuminated switches, switch markings, etc

// General Information:

| | |
|-----------------------------|---|
| Product Display Title: | Vertical Power Entry Module 67.5mm/81.5mm (part codes prefixed BVA) and 59mm/72.3mm (part codes prefixed BVB) |
| Product Family: | IEC Connectors |
| Product Series: | Power Entry Modules |
| Current Max: | 1A |
| Filter Type: | 1A PS21/A L/C v2 |
| Function: | C14 Inlets |
| Fuseholder Inlet Type: | Integral Single Fused |
| iec Connector Components: | None |
| iec Connector Mates With: | PF0011 |
| iec Filter Options: | A0120 |
| iec Vertical Module Height: | 72.3mm |
| Inlet Type: | C14 Cold Condition Inlet |
| Switch Type: | Double Contact High Inrush Marked I/O |
| Voltage Max: | 250V |

// Product PDF Links

[Power Entry Modules product data](#)

// Product 3D CAD Model Links

[BVB02/A0120/783D CAD Model](#)