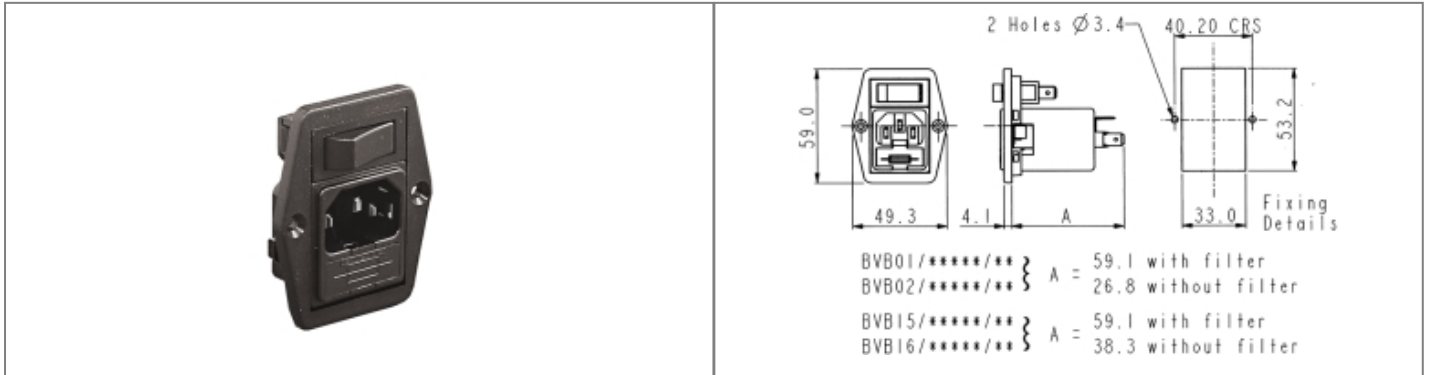


Product Name // Vertical Power Entry Module 59mm Side Fixing Flange Mount C14 Cold Condition Inlet Integral Twin Fused (PF0033) 6.3mm Tab Termination A0420 Filter (4A PS26/A L/C v2) Single Contact Illuminated Switch Marked I/O Green

[View Product Page](#)


// Product Description:

- ⊕ Vertical Power Entry Module 67.5mm/81.5mm (part codes prefixed BVA) and 59mm/72.3mm (part codes prefixed BVB)
- ⊕ Screw fix to panel via choice of fixing flanges, depending on part code:
- ⊕ Part codes prefixed BVA: Top fixing flanges
- ⊕ Part codes prefixed BVB: Side fixing flanges
- ⊕ C14 Cold Condition Inlet with integral fuseholder(s) depending on part code:
- ⊕ Part codes prefixed BVA01, BVB01, BVA02, BVB02: PF0011 Single Fused Inlet
- ⊕ Part codes prefixed BVA15, BVB15, BVA16, BVB16: PF0033 Twin Fused Inlet
- ⊕ Choice of Termination depending on part code:
- ⊕ Part codes prefixed BVA01, BVB01, BVA15, BVB15: 6.3mm Tab
- ⊕ Part codes prefixed BVA02, BVB02, BVA16, BVB16: 2.8mm Tab
- ⊕ Choice of mains filter depending on part code:
- ⊕ Part codes containing /Z0000 are unfiltered
- ⊕ Choice of mains filter options (part codes containing codes starting /A)
- ⊕ Choice of many other options as specified by individual part code, including indicators, illuminated switches, switch markings, etc

// General Information:

| | |
|-----------------------------|---|
| Product Display Title: | Vertical Power Entry Module 67.5mm/81.5mm (part codes prefixed BVA) and 59mm/72.3mm (part codes prefixed BVB) |
| Product Family: | IEC Connectors |
| Product Series: | Power Entry Modules |
| Current Max: | 4A |
| Filter Type: | 4A PS26/A L/C v2 |
| Function: | C14 Inlets |
| Fuseholder Inlet Type: | Integral Twin Fused |
| iec Connector Components: | None |
| iec Connector Mates With: | PF0033 |
| iec Filter Options: | A0420 |
| iec Neon Colour: | Green |
| iec Vertical Module Height: | 59mm |
| Inlet Type: | C14 Cold Condition Inlet |
| Switch Type: | Single Contact Marked I/O Illuminated |
| Voltage Max: | 250V |

// Product PDF Links

[Power Entry Modules product data](#)

// Product 3D CAD Model Links

[BVB15/A0420/743D CAD Model](#)