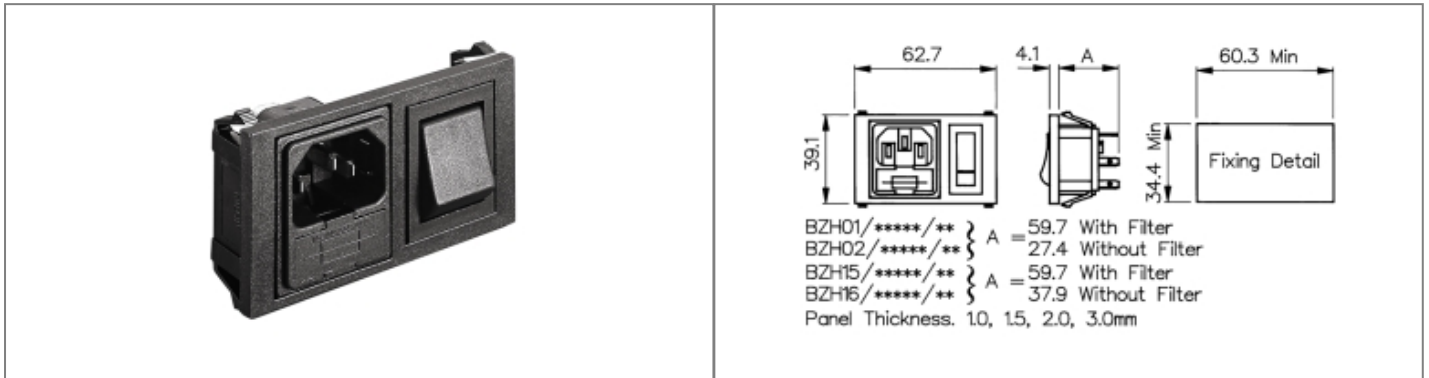


# BZH02/A0620/69 Datasheet

**Product Name // Horizontal Power Entry Module 62.7mm  
C14 Cold Condition Inlet Integral Single Fused (PF0011)  
2.8mm Tab Termination A0620 Filter (6A PS21/A L/C v2)  
Single Contact Switch Marked I/O**

[View Product Page](#)


## // Product Description:

- ⊕ Horizontal Power Entry Module 62.7mm/74.5mm
- ⊕ C14 Cold Condition Inlet with integral fuseholder(s) depending on part code:
- ⊕ Part codes prefixed BZH01, BZH02: PF0011 Single Fused Inlet
- ⊕ Part codes prefixed BZH15, BZH16: PF0033 Twin Fused Inlet
- ⊕ Choice of Termination depending on part code:
- ⊕ Part codes prefixed BZH01, BZH15: 6.3mm Tab
- ⊕ Part codes prefixed BZH02, BZH16: 2.8mm Tab
- ⊕ Choice of mains filter depending on part code:
- ⊕ Part codes containing /Z0000 are unfiltered
- ⊕ Choice of mains filter options (part codes containing codes starting /A)
- ⊕ Choice of many other options as specified by individual part code, including indicators, illuminated switches, switch markings, etc

## // General Information:

|                              |   |
|------------------------------|---|
| Product Display Title:       | Horizontal Power Entry Module 62.7mm/74.5mm |
| Product Family:              | IEC Connectors                              |
| Product Series:              | Power Entry Modules                         |
| Current Max:                 | 6A  |
| Filter Type:                 | 6A PS21/A L/C v2                            |
| Function:                    | C14 Inlets                                  |
| Fuseholder Inlet Type:       | Integral Single Fused                       |
| iec Connector Components:    | None  |
| iec Connector Mates With:    | PF0011                                      |
| iec Filter Options:          | A0620                                       |
| iec Horizontal Module Width: | 62.7mm                                      |
| Inlet Type:                  | C14 Cold Condition Inlet                    |
| Switch Type:                 | Single Contact Marked I/O                   |
| Voltage Max:                 | 250V  |

### // Product PDF Links

[Power Entry Modules product data](#)

### // Product 3D CAD Model Links

[BZH02/A0620/693D CAD Model](#)