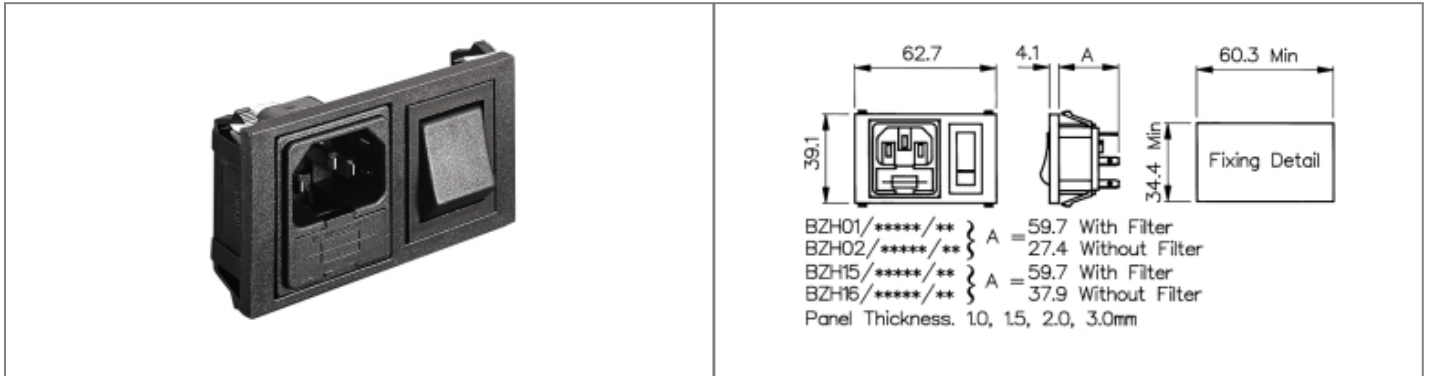


BZH02/A0630/08 Datasheet

**Product Name // Horizontal Power Entry Module 62.7mm
C14 Cold Condition Inlet Integral Single Fused (PF0011)
2.8mm Tab Termination A0630 Filter (6A PS21/A L/C v3)
Single Contact Illuminated Switch Green**

 [View Product Page](#)



// Product Description:

- ⊕ Horizontal Power Entry Module 62.7mm/74.5mm
- ⊕ C14 Cold Condition Inlet with integral fuseholder(s) depending on part code:
- ⊕ Part codes prefixed BZH01, BZH02: PF0011 Single Fused Inlet
- ⊕ Part codes prefixed BZH15, BZH16: PF0033 Twin Fused Inlet
- ⊕ Choice of Termination depending on part code:
- ⊕ Part codes prefixed BZH01, BZH15: 6.3mm Tab
- ⊕ Part codes prefixed BZH02, BZH16: 2.8mm Tab
- ⊕ Choice of mains filter depending on part code:
- ⊕ Part codes containing /Z0000 are unfiltered
- ⊕ Choice of mains filter options (part codes containing codes starting /A)
- ⊕ Choice of many other options as specified by individual part code, including indicators, illuminated switches, switch markings, etc

// General Information:

| | |
|------------------------------|---------------------------------------------|
| Product Display Title: | Horizontal Power Entry Module 62.7mm/74.5mm |
| Product Family: | IEC Connectors |
| Product Series: | Power Entry Modules |
| Current Max: | 6A |
| Filter Type: | 6A PS21/A L/C v3 |
| Function: | C14 Inlets |
| Fuseholder Inlet Type: | Integral Single Fused |
| iec Connector Components: | None |
| iec Connector Mates With: | PF0011 |
| iec Filter Options: | A0630 |
| iec Horizontal Module Width: | 62.7mm |
| iec Neon Colour: | Green |
| Inlet Type: | C14 Cold Condition Inlet |
| Switch Type: | Single Contact Illuminated |
| Voltage Max: | 250V |

// Product PDF Links

 [Power Entry Modules product data](#)

// Product 3D CAD Model Links

 [BZH02/A0630/083D CAD Model](#)