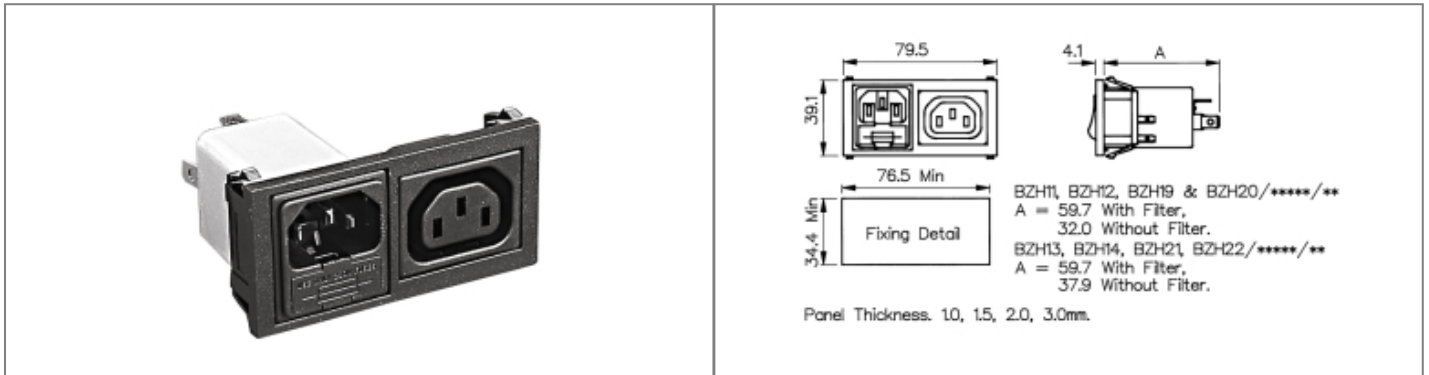


**Product Name // Horizontal Power Entry Module 79.5mm  
C14 Cold Condition Inlet + Sheet F Non-Shuttered Outlet  
Integral Single Fused (PF0011+PX0695) 2.8mm Tab  
Termination A0630 Filter (6A PS21/A L/C v3)**

 [View Product Page](#)



### // Product Description:

- ⊕ Horizontal Power Entry Module 108.8mm/79.5mm
- ⊕ C14 Cold Condition Inlet with choice of Single Integral Fuse (PF0011) or Twin Integral Fuse (PF0033) combined with choice of Sheet F Shuttered (PX0783) or Non-Shuttered (PX0695) Outlet:
- ⊕ Part codes prefixed BZH11, BZH12: PF0011 Single Fused Inlet, PX0695 Non-Shuttered Outlet
- ⊕ Part codes prefixed BZH13, BZH14: PF0033 Twin Fused Inlet, PX0695 Non-Shuttered Outlet
- ⊕ Part codes prefixed BZH19, BZH20: PF0011 Single Fused Inlet, PX0783 Shuttered Outlet
- ⊕ Part codes prefixed BZH21, BZH22: PF0033 Twin Fused Inlet, PX0783 Shuttered Outlet
- ⊕ Choice of Termination depending on part code:
- ⊕ Part codes prefixed BZH11, BZH13, BZH19, BZH21: 6.3mm Tab
- ⊕ Part codes prefixed BZH12, BZH14, BZH20, BZH22: 2.8mm Tab
- ⊕ Choice of mains filter depending on part code:
- ⊕ Part codes containing /Z0000 are unfiltered
- ⊕ Choice of mains filter options (part codes containing codes starting /A)
- ⊕ Choice of other options as specified by individual part code, including switches, indicators (part code suffix of /00 denotes no options, only Inlet and Outlet present)

### // General Information:

|                              |   |
|------------------------------|---|
| Product Display Title:       | Horizontal Power Entry Module 108.8mm/79.5mm            |
| Product Family:              | IEC Connectors  |
| Product Series:              | Power Entry Modules                                     |
| Current Max:                 | 6A  |
| Filter Type:                 | 6A PS21/A L/C v3  |
| Function:                    | C14 Inlets + Sheet F Outlets                            |
| Fuseholder Inlet Type:       | Integral Single Fused                                   |
| iec Connector Components:    | None  |
| iec Connector Mates With:    | PF0011+PX0695   |
| iec Filter Options:          | A0630   |
| iec Horizontal Module Width: | 79.5mm  |
| Inlet Type:                  | C14 Cold Condition Inlet + Sheet F Non-Shuttered Outlet |
| Voltage Max:                 | 250V  |

#### // Product PDF Links

 [Power Entry Modules product data](#)

#### // Product 3D CAD Model Links

 [BZH12/A0630/003D CAD Model](#)