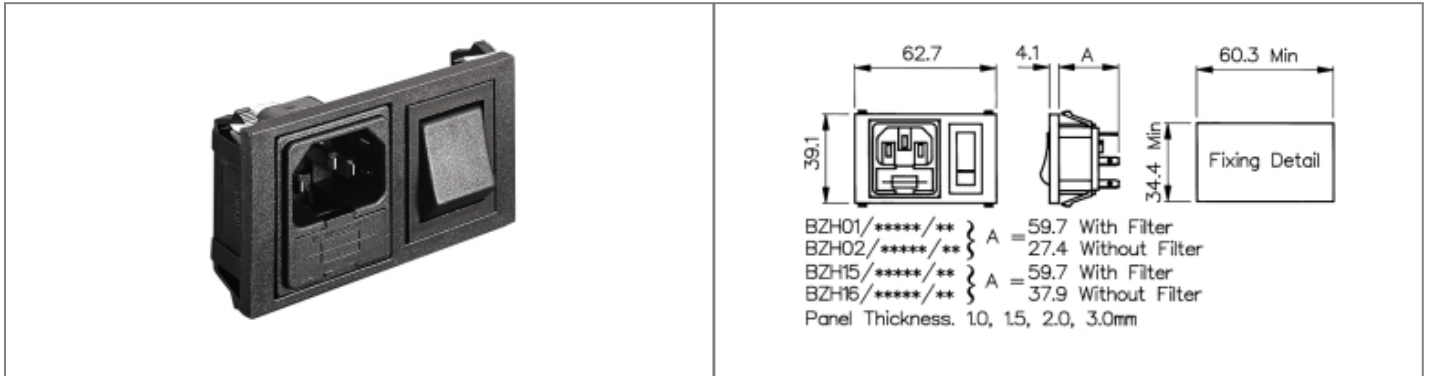


BZH16/A0420/08 Datasheet

**Product Name // Horizontal Power Entry Module 62.7mm
C14 Cold Condition Inlet Integral Twin Fused (PF0033)
2.8mm Tab Termination A0420 Filter (4A PS26/A L/C v2)
Single Contact Illuminated Switch Green**

 [View Product Page](#)



// Product Description:

- ⊗ Horizontal Power Entry Module 62.7mm/74.5mm
- ⊗ C14 Cold Condition Inlet with integral fuseholder(s) depending on part code:
- ⊗ Part codes prefixed BZH01, BZH02: PF0011 Single Fused Inlet
- ⊗ Part codes prefixed BZH15, BZH16: PF0033 Twin Fused Inlet
- ⊗ Choice of Termination depending on part code:
- ⊗ Part codes prefixed BZH01, BZH15: 6.3mm Tab
- ⊗ Part codes prefixed BZH02, BZH16: 2.8mm Tab
- ⊗ Choice of mains filter depending on part code:
- ⊗ Part codes containing /Z0000 are unfiltered
- ⊗ Choice of mains filter options (part codes containing codes starting /A)
- ⊗ Choice of many other options as specified by individual part code, including indicators, illuminated switches, switch markings, etc

// General Information:

Product Display Title:	Horizontal Power Entry Module 62.7mm/74.5mm
Product Family:	IEC Connectors
Product Series:	Power Entry Modules
Current Max:	4A
Filter Type:	4A PS26/A L/C v2
Function:	C14 Inlets
Fuseholder Inlet Type:	Integral Twin Fused
iec Connector Components:	None
iec Connector Mates With:	PF0033
iec Filter Options:	A0420
iec Horizontal Module Width:	62.7mm
iec Neon Colour:	Green
Inlet Type:	C14 Cold Condition Inlet
Switch Type:	Single Contact Illuminated
Voltage Max:	250V

// Product PDF Links

 [Power Entry Modules product data](#)

// Product 3D CAD Model Links

 [BZH16/A0420/083D CAD Model](#)