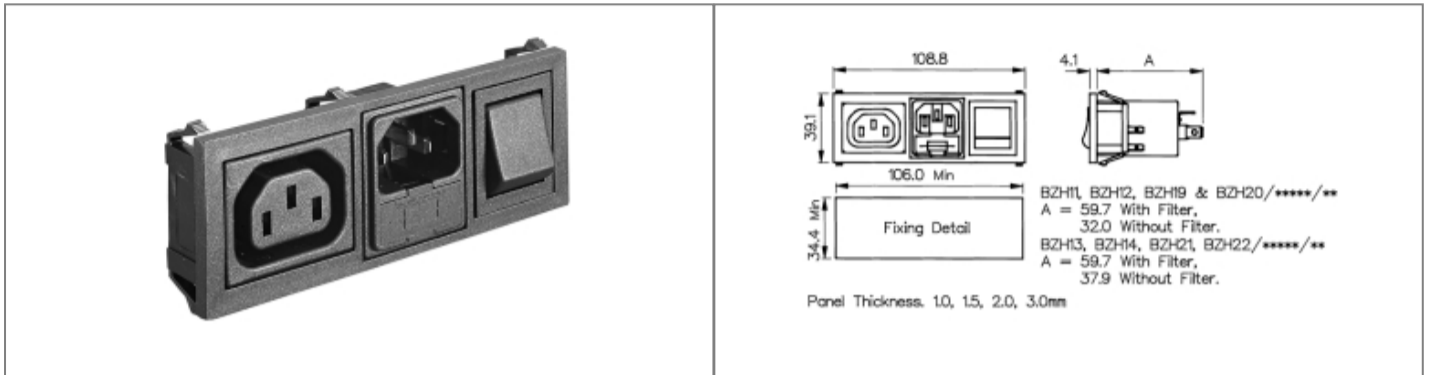


**Product Name // Horizontal Power Entry Module 108.8mm
C14 Cold Condition Inlet + Sheet F Shuttered Outlet Integral
Twin Fused (PF0033+PX0783) 2.8mm Tab Termination A0220
Filter (2A PS26/A L/C v2) Double Contact Switch Marked I/O**

 [View Product Page](#)



// Product Description:

- ⊕ Horizontal Power Entry Module 108.8mm/79.5mm
- ⊕ C14 Cold Condition Inlet with choice of Single Integral Fuse (PF0011) or Twin Integral Fuse (PF0033) combined with choice of Sheet F Shuttered (PX0783) or Non-Shuttered (PX0695) Outlet:
- ⊕ Part codes prefixed BZH11, BZH12: PF0011 Single Fused Inlet, PX0695 Non-Shuttered Outlet
- ⊕ Part codes prefixed BZH13, BZH14: PF0033 Twin Fused Inlet, PX0695 Non-Shuttered Outlet
- ⊕ Part codes prefixed BZH19, BZH20: PF0011 Single Fused Inlet, PX0783 Shuttered Outlet
- ⊕ Part codes prefixed BZH21, BZH22: PF0033 Twin Fused Inlet, PX0783 Shuttered Outlet
- ⊕ Choice of Termination depending on part code:
- ⊕ Part codes prefixed BZH11, BZH13, BZH19, BZH21: 6.3mm Tab
- ⊕ Part codes prefixed BZH12, BZH14, BZH20, BZH22: 2.8mm Tab
- ⊕ Choice of mains filter depending on part code:
- ⊕ Part codes containing /Z0000 are unfiltered
- ⊕ Choice of mains filter options (part codes containing codes starting /A)
- ⊕ Choice of other options as specified by individual part code, including switches, indicators (part code suffix of /00 denotes no options, only Inlet and Outlet present)

// General Information:

| | |
|------------------------------|---|
| Product Display Title: | Horizontal Power Entry Module 108.8mm/79.5mm |
| Product Family: | IEC Connectors |
| Product Series: | Power Entry Modules |
| Current Max: | 2A |
| Filter Type: | 2A PS26/A L/C v2 |
| Function: | C14 Inlets + Sheet F Outlets |
| Fuseholder Inlet Type: | Integral Twin Fused |
| iec Connector Components: | None |
| iec Connector Mates With: | PF0033+PX0783 |
| iec Filter Options: | A0220 |
| iec Horizontal Module Width: | 108.8mm |
| Inlet Type: | C14 Cold Condition Inlet + Sheet F Shuttered Outlet |
| Switch Type: | Double Contact Marked I/O |
| Voltage Max: | 250V |

// Product PDF Links

 [Power Entry Modules product data](#)

// Product 3D CAD Model Links

 [BZH22/A0220/703D CAD Model](#)