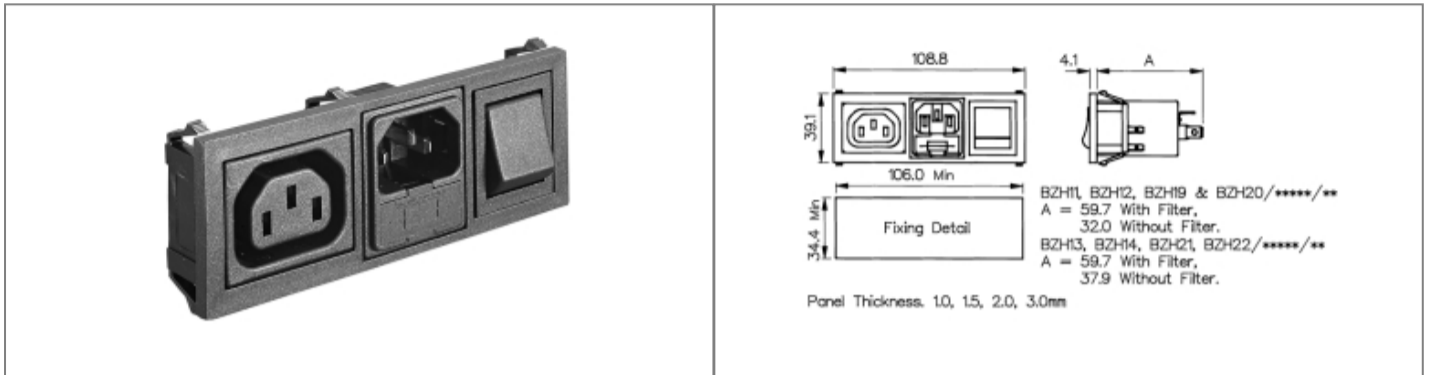


**Product Name // Horizontal Power Entry Module 108.8mm
C14 Cold Condition Inlet + Sheet F Shuttered Outlet Integral
Twin Fused (PF0033+PX0783) 2.8mm Tab Termination A0420
Filter (4A PS26/A L/C v2) Large Red Indicator**

[View Product Page](#)


// Product Description:

- ⊕ Horizontal Power Entry Module 108.8mm/79.5mm
- ⊕ C14 Cold Condition Inlet with choice of Single Integral Fuse (PF0011) or Twin Integral Fuse (PF0033) combined with choice of Sheet F Shuttered (PX0783) or Non-Shuttered (PX0695) Outlet:
- ⊕ Part codes prefixed BZH11, BZH12: PF0011 Single Fused Inlet, PX0695 Non-Shuttered Outlet
- ⊕ Part codes prefixed BZH13, BZH14: PF0033 Twin Fused Inlet, PX0695 Non-Shuttered Outlet
- ⊕ Part codes prefixed BZH19, BZH20: PF0011 Single Fused Inlet, PX0783 Shuttered Outlet
- ⊕ Part codes prefixed BZH21, BZH22: PF0033 Twin Fused Inlet, PX0783 Shuttered Outlet
- ⊕ Choice of Termination depending on part code:
- ⊕ Part codes prefixed BZH11, BZH13, BZH19, BZH21: 6.3mm Tab
- ⊕ Part codes prefixed BZH12, BZH14, BZH20, BZH22: 2.8mm Tab
- ⊕ Choice of mains filter depending on part code:
- ⊕ Part codes containing /Z0000 are unfiltered
- ⊕ Choice of mains filter options (part codes containing codes starting /A)
- ⊕ Choice of other options as specified by individual part code, including switches, indicators (part code suffix of /00 denotes no options, only Inlet and Outlet present)

// General Information:

Product Display Title:	Horizontal Power Entry Module 108.8mm/79.5mm
Product Family:	IEC Connectors
Product Series:	Power Entry Modules
Current Max:	4A
Filter Type:	4A PS26/A L/C v2
Function:	C14 Inlets + Sheet F Outlets
Fuseholder Inlet Type:	Integral Twin Fused
iec Connector Components:	None
iec Connector Mates With:	PF0033+PX0783
iec Filter Options:	A0420
iec Horizontal Module Width:	108.8mm
iec Neon Colour:	Red
Inlet Type:	C14 Cold Condition Inlet + Sheet F Shuttered Outlet
Voltage Max:	250V

// Product PDF Links

[Power Entry Modules product data](#)

// Product 3D CAD Model Links

[BZH22/A0420/D33D CAD Model](#)