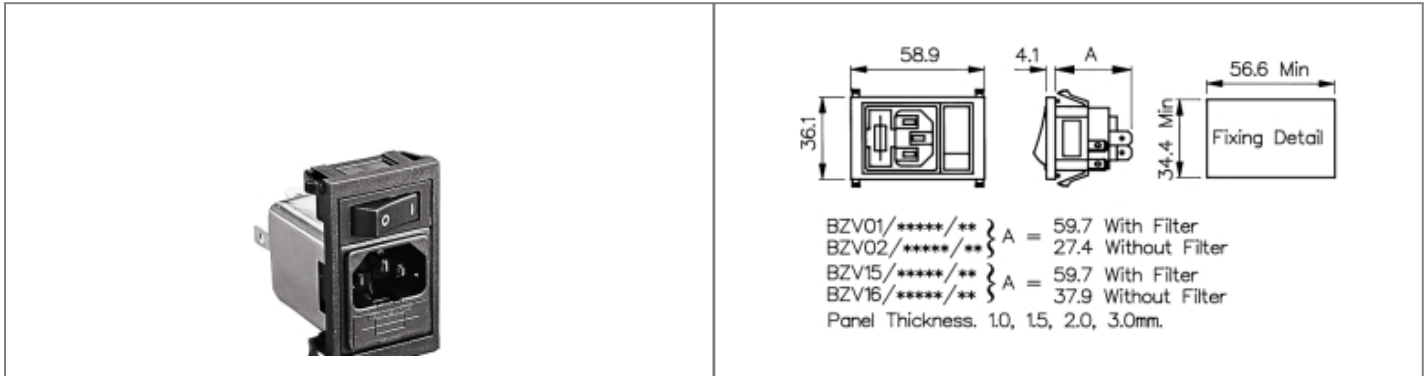


**Product Name // Vertical Power Entry Module 58.9mm C14
Cold Condition Inlet Integral Single Fused (PF0011) 2.8mm
Tab Termination A0130 Filter (1A PS21/A L/C v3) Single
Contact Illuminated Switch Green**

[View Product Page](#)


// Product Description:

- ⊕ Vertical Power Entry Module 58.9mm/72.3mm
- ⊕ C14 Cold Condition Inlet with integral fuseholder(s) depending on part code:
- ⊕ Part codes prefixed BZV01, BZV02: PF0011 Single Fused Inlet
- ⊕ Part codes prefixed BZV15, BZV16: PF0033 Twin Fused Inlet
- ⊕ Choice of Termination depending on part code:
- ⊕ Part codes prefixed BZV01, BZV15: 6.3mm Tab
- ⊕ Part codes prefixed BZV02, BZV16: 2.8mm Tab
- ⊕ Choice of mains filter depending on part code:
- ⊕ Part codes containing /Z0000 are unfiltered
- ⊕ Choice of mains filter options (part codes containing codes starting /A)
- ⊕ Choice of many other options as specified by individual part code, including indicators, illuminated switches, switch markings, etc

// General Information:

Product Display Title:	Vertical Power Entry Module 58.9mm/72.3mm
Product Family:	IEC Connectors
Product Series:	Power Entry Modules
Current Max:	1A
Filter Type:	1A PS21/A L/C v3
Function:	C14 Inlets
Fuseholder Inlet Type:	Integral Single Fused
iec Connector Components:	None
iec Connector Mates With:	PF0011
iec Filter Options:	A0130
iec Neon Colour:	Green
iec Vertical Module Height:	58.9mm
Inlet Type:	C14 Cold Condition Inlet
Switch Type:	Single Contact Illuminated
Voltage Max:	250V

// Product PDF Links

[Power Entry Modules product data](#)

// Product 3D CAD Model Links

[BZV02/A0130/083D CAD Model](#)


Have a question or project enquiry
you'd like to talk to us about?



[Click Here To Contact Us](#)