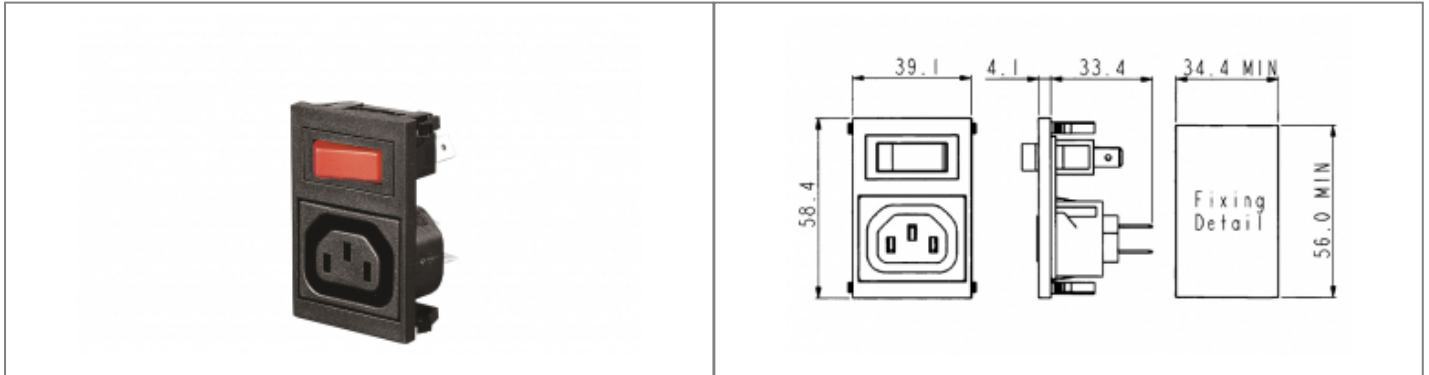


# BZV48/Z0000/01 Datasheet

**Product Name // Vertical Power Entry Module 58.4mm  
Sheet F Shuttered Outlet (PX0783) 2.8mm Tab Termination  
Unfiltered Single Contact Switch**

 [View Product Page](#)



## // Product Description:

- ⊞ Vertical Power Entry Module 58.4mm
- ⊞ Sheet F Shuttered (PX0783) or Non-Shuttered (PX0695) Outlet:
- ⊞ Part codes prefixed BZV47, BZV48: Shuttered Outlet
- ⊞ Part codes prefixed BZV45, BZV46: Non-Shuttered Outlet
- ⊞ Choice of Termination depending on part code:
- ⊞ Part codes prefixed BZV45, BZV47: 6.3mm Tab
- ⊞ Part codes prefixed BZV46, BZV48: 2.8mm Tab
- ⊞ Choice of switch and illumination options as specified by individual part code

## // General Information:

Product Display Title:	Vertical Power Entry Module 58.4mm
Product Family:	IEC Connectors
Product Series:	Power Entry Modules
Current Max:	10A
Filter Type:	Unfiltered
Function:	Power Entry Module Sheet F Outlet
iec Connector Components:	None
iec Connector Mates With:	PX0783
iec Filter Options:	Unfiltered
iec Vertical Module Height:	58.4mm
Inlet Type:	Sheet F Shuttered Outlet
Switch Type:	Single Contact
Voltage Max:	250V

### // Product PDF Links

 [Power Entry Modules product data](#)

### // Product 3D CAD Model Links

 [BZV48/Z0000/013D CAD Model](#)