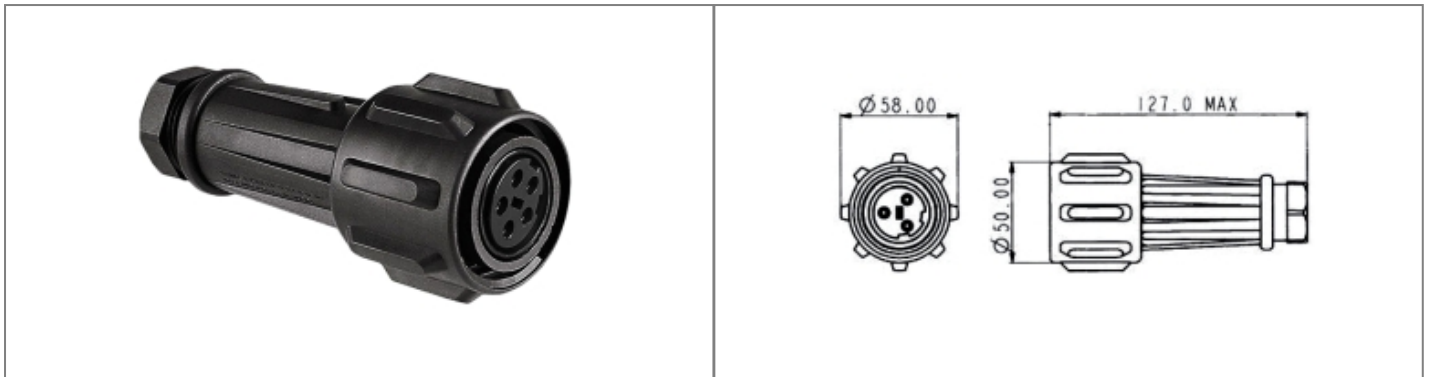


# EXP-0911/07/S Datasheet

## Product Name // Flex Cable Connector EXP-0911 Series 7 Contact Socket 13mm-15mm Cable (Yellow Gland)

[View Product Page](#)


### // Product Description:

- ⊕ Flex Cable Connectors for hazardous areas
- ⊕ Water and dustproof to IP68 when mated with compatible connector
- ⊕ Positive fast-acting locking ring - can be turned with a gloved hand
- ⊕ Plug or Socket
- ⊕ 2, 3, 4, 5, 7, 10 Contact with leading Earth on 3, 4, 5, 7 Contact versions, trailing Neutral on 5 Contact version
- ⊕ Screw Terminals
- ⊕ Choice of cable acceptance 7mm-22mm diameter depending on part code (see data for details):
- ⊕ EXP-09 part codes 7mm-15mm diameter
- ⊕ EXP-A9 part codes (large cable version with strain relief clamp) 14mm-22mm diameter
- ⊕ Packs of Cable Glands for differing cable diameters available separately (EXP-0980, EXP-A980)
- ⊕ EXP-0990 heavy duty Sealing Cap available separately to maintain IP rating of unmated connectors
- ⊕ Mate with EXP-09 or EXP-A9 Series Flex and Panel Mounting Connectors, as appropriate

### // General Information:

Product Display Title:	Flex Cable Connectors for hazardous areas
Product Family:	Circular Power Connectors
Product Series:	EXPlora
Approvals:	UL
Body Material:	Polyester (PET)
Body Material Type:	Plastic Body
Contact Type:	Socket Contact
Coupling Type:	Screw
Current Max:	16A
Diameter Over Coupling Ring Mm:	58mm
Flamability Rating:	UL94V-0
Function:	Flex Cable Connector
Ip Rating:	IP68
Max Cable Entry Size:	15mm
Min Cable Entry Size:	13mm
Max Contact Accomodation Awg:	14AWG
Min Contact Accomodation Awg:	10AWG
Max Contact Accomodation Mm2:	4mm2
Min Contact Accomodation Mm2:	2.5mm2
Max Operating Temperature:	+55°C
Min Operating Temperature:	-20°C
Number Of Contacts:	7 Contacts
Voltage Max:	430V

#### // Product PDF Links

[EXP-0911/07/S3D CAD Model](#)

#### // Product 3D CAD Model Links

[EXP-0911/07/S3D CAD Model](#)