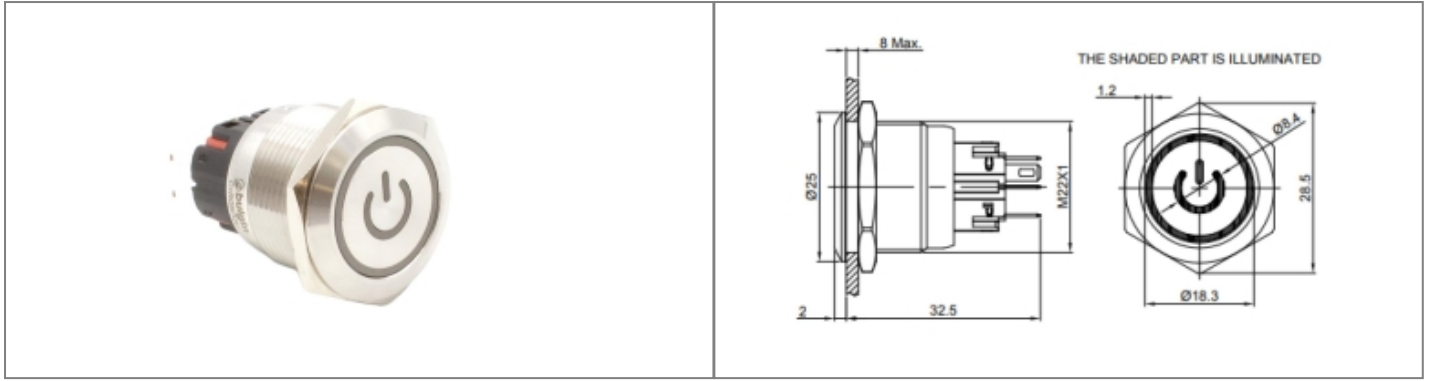


# MP22DLPINRB110S5 Datasheet

**Product Name // MP22DLPINRB110S5 Power Symbol Illumination Vandal Resistant Switch**

[View Product Page](#)



## // Product Description:

<ul style="list-style-type: none"> <li>⬢ MP22 Range</li> <li>⬢ DPDT</li> <li>⬢ Latching</li> <li>⬢ Power Symbol Illumination</li> </ul>	<ul style="list-style-type: none"> <li>⬢ Blue</li> <li>⬢ 110V</li> <li>⬢ Stainless Steel</li> <li>⬢ IP65</li> </ul>
---	---

## // General Information:

<b>Product Display Title:</b>	Power Symbol Illumination Vandal Resistant Switch
<b>Product Family:</b>	Switch Range
<b>Product Series:</b>	Vandal Resistant Switches
<b>Bezel Finish:</b>	Machined
<b>Body Colour:</b>	Stainless Steel
<b>Body Material:</b>	Stainless Steel
<b>Body Material Type:</b>	Metal
<b>Current Rating:</b>	5A 250V
<b>Diameter:</b>	22mm
<b>Dielectric Withstanding Voltage:</b>	1500V
<b>Durability:</b>	50,000
<b>Function:</b>	Push Button Switch
<b>Illumination Colour:</b>	Blue
<b>Illumination Shape:</b>	Power Symbol
<b>Illumination Voltage:</b>	110V
<b>Ip Rating:</b>	IP65
<b>Lamp Type:</b>	LED
<b>Material Finish:</b>	Machined
<b>Max Operating Temperature:</b>	55°C
<b>Min Operating Temperature:</b>	-25°C
<b>Max Panel Thickness:</b>	8mm
<b>Operating Humidity:</b>	45~85 RH(Non condensing)
<b>Panel Cut Out:</b>	22mm Diameter circle
<b>Rohs Compliant:</b>	Yes
<b>Switch Body Colour:</b>	Stainless Steel
<b>Switch Body Material:</b>	Stainless Steel
<b>Switch Button Colour:</b>	Stainless Steel
<b>Switch Button Material:</b>	Stainless Steel
<b>Switch Circuit:</b>	DPDT
<b>Switch Series:</b>	MP22
<b>Switch Shape:</b>	Round
<b>Switch Type:</b>	Pushbutton
<b>Switching Type:</b>	Latching
<b>Thread Size:</b>	M22

**// Product PDF Links**

[22mm Vandal Resistant Switch](#)

**// Product 3D CAD Model Links**

[MP22DLPINRB110S53D CAD Model](#)