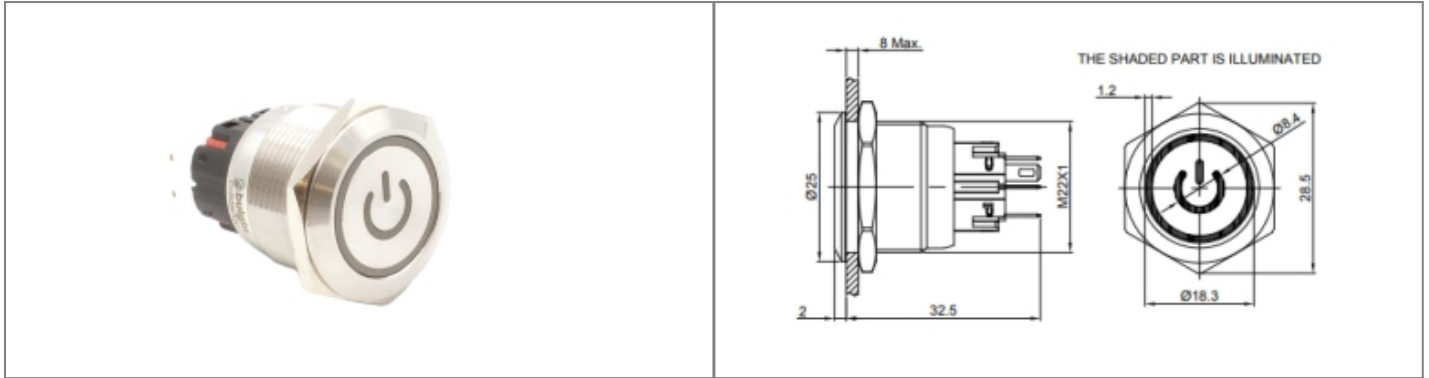


Product Name // MP22SMPINRW012A5 Power Symbol Illumination Vandal Resistant Switch
[View Product Page](#)

// Product Description:

- | | |
|-----------------------------|------------------|
| ⬡ MP22 Range | ⬡ White |
| ⬡ SPDT | ⬡ 12V |
| ⬡ Momentary | ⬡ AL alloy Black |
| ⬡ Power Symbol Illumination | ⬡ IP65 |

// General Information:

Product Display Title:	Power Symbol Illumination Vandal Resistant Switch
Product Family:	Switch Range
Product Series:	Vandal Resistant Switches
Bezel Finish:	Gloss
Body Colour:	Black
Body Material:	Aluminium
Body Material Type:	Metal
Current Rating:	5A 250V
Diameter:	22mm
Dielectric Withstanding Voltage:	1500V
Durability:	50,000
Function:	Push Button Switch
Illumination Colour:	White
Illumination Shape:	Power Symbol
Illumination Voltage:	12V
Ip Rating:	IP65
Lamp Type:	LED
Material Finish:	Gloss
Max Operating Temperature:	55°C
Min Operating Temperature:	-25°C
Max Panel Thickness:	8mm
Operating Humidity:	45~85 RH(Non condensing)
Panel Cut Out:	22mm Diameter circle
Rohs Compliant:	Yes
Switch Body Colour:	Black
Switch Body Material:	Aluminium
Switch Button Colour:	Black
Switch Button Material:	Aluminium
Switch Circuit:	SPDT
Switch Series:	MP22
Switch Shape:	Round
Switch Type:	Pushbutton
Switching Type:	Momentary
Thread Size:	M22

// Product PDF Links
[22mm Vandal Resistant Switch](#)
// Product 3D CAD Model Links
[MP22SMPINRW012A53D CAD Model](#)


Have a question or project enquiry you'd like to talk to us about?


[Click Here To Contact Us](#)