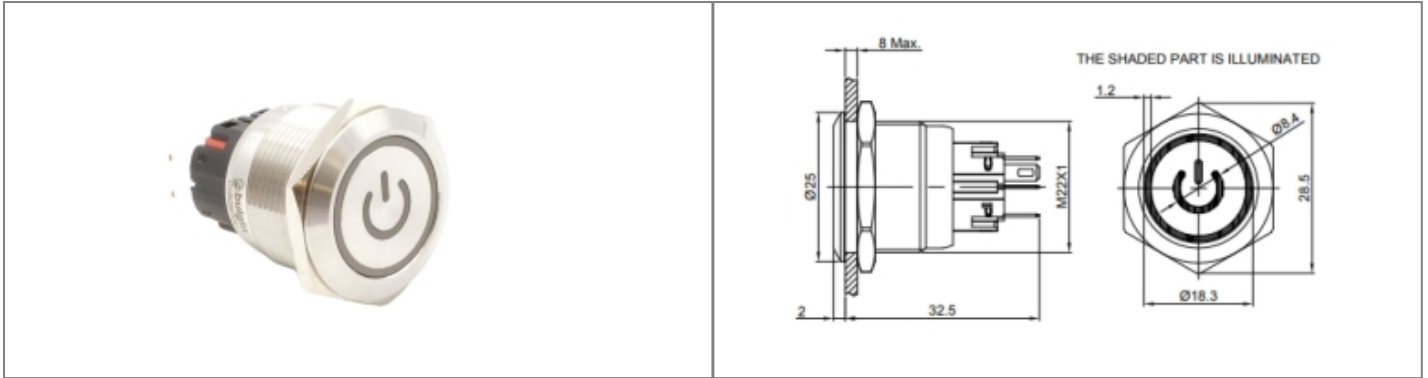


**Product Name // MP22SMPINRW012S5 Power Symbol  
Illumination Vandal Resistant Switch**
[View Product Page](#)

**// Product Description:**

- |                             |                   |
|-----------------------------|-------------------|
| ⬡ MP22 Range                | ⬡ White           |
| ⬡ SPDT                      | ⬡ 12V             |
| ⬡ Momentary                 | ⬡ Stainless Steel |
| ⬡ Power Symbol Illumination | ⬡ IP65            |

**// General Information:**

Product Display Title:	Power Symbol Illumination Vandal Resistant Switch
Product Family:	Switch Range
Product Series:	Vandal Resistant Switches
Bezel Finish:	Machined
Body Colour:	Stainless Steel
Body Material:	Stainless Steel
Body Material Type:	Metal
Current Rating:	5A 250V
Diameter:	22mm
Dielectric Withstanding Voltage:	1500V
Durability:	50,000
Function:	Push Button Switch
Illumination Colour:	White
Illumination Shape:	Power Symbol
Illumination Voltage:	12V
Ip Rating:	IP65
Lamp Type:	LED
Material Finish:	Machined
Max Operating Temperature:	55°C
Min Operating Temperature:	-25°C
Max Panel Thickness:	8mm
Operating Humidity:	45~85 RH(Non condensing)
Panel Cut Out:	22mm Diameter circle
Rohs Compliant:	Yes
Switch Body Colour:	Stainless Steel
Switch Body Material:	Stainless Steel
Switch Button Colour:	Stainless Steel
Switch Button Material:	Stainless Steel
Switch Circuit:	SPDT
Switch Series:	MP22
Switch Shape:	Round
Switch Type:	Pushbutton
Switching Type:	Momentary
Thread Size:	M22

**// Product PDF Links**
[22mm Vandal Resistant Switch](#)
**// Product 3D CAD Model Links**
[MP22SMPINRW012S53D CAD Model](#)

 Have a question or project enquiry  
you'd like to talk to us about?

[Click Here To Contact Us](#)