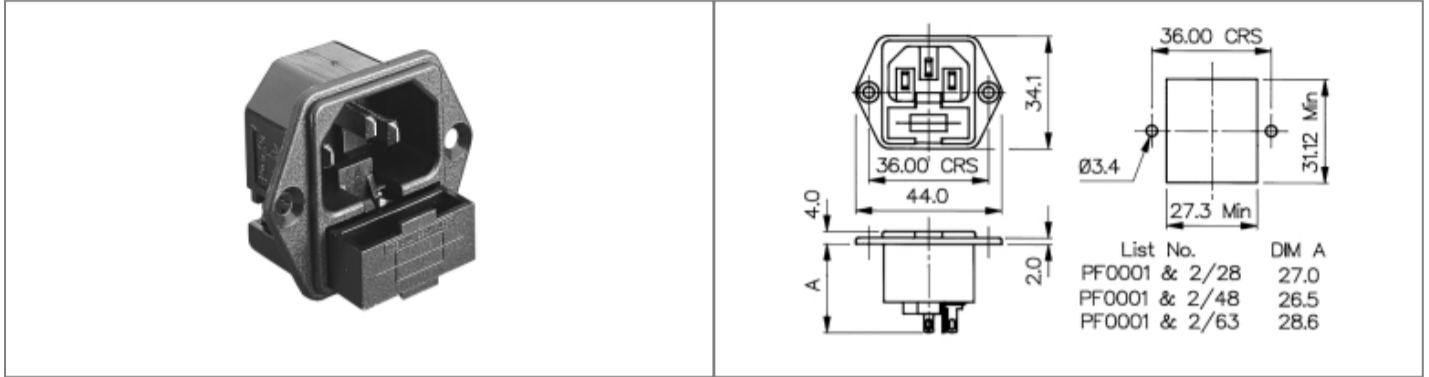


PF0001/48 Datasheet

Product Name // IEC Connector Flange Mount Fused Inlet
PF0001 Series Black 4.8mm Tab Termination EN60 320-1
Standard Sheet C14 Class I

 [View Product Page](#)



// Product Description:

- ⊕ Flange Mount Fused IEC Inlets
- ⊕ EN60 320-1 Standard Sheet C14 Class I
- ⊕ Cold Condition
- ⊕ Single 5mm x 20mm fuse with spare fuse facility
- ⊕ Choice of Termination depending on part code: /28 - 2.8mm Solder Tag, /48 - 4.8mm Tab, /63 - 6.3mm Tab, /PC - Horizontal PCB Spills
- ⊕ Choice of colour depending on part code: /WH - White, /GY - Grey, no suffix - Black (some approvals apply to specific colours only - see data for details)
- ⊕ Insulation Boot for rear of connector available separately (part code 11987) for all versions except PCB Mount
- ⊕ Retaining Clip KT0009 available separately for all versions (for use with PX0587 Female Connector only) to prevent accidental removal of mating connector (can be used with Front of Panel Mount only for PCB Mount versions)
- ⊕ Mate with PX0587, PX0587/SE, PX0588
- ⊕ PF0002 Series also available; connectors are same specification as PF0001 Series but with fuse contacts isolated (PF0002 Series not available in PCB Mount versions)

// General Information:

Product Display Title:	Flange Mount Fused IEC Inlets
Product Family:	IEC Connectors
Product Series:	IEC60320 Main Inlets and Outlets
Approvals:	CSA, ENEC, UL, VDE, CCC
Body Material:	Nylon 66
Current Max:	10A
Flamability Rating:	UL94V-0
Function:	Flange Mount Fused Connector
iec Connector Colour:	Black
iec Connector Mates With:	PX0587, PX0587/SE, PX0588
iec En60620 Type:	EN60 320-1 Standard Sheet C14 Class I
Max Operating Temperature:	+70°C
Min Operating Temperature:	-40°C
Number Of Contacts:	3 Contacts
Voltage Max:	250V

// Product PDF Links

 [IEC Connectors product data](#)

// Product 3D CAD Model Links

 [PF0001/483D CAD Model](#)