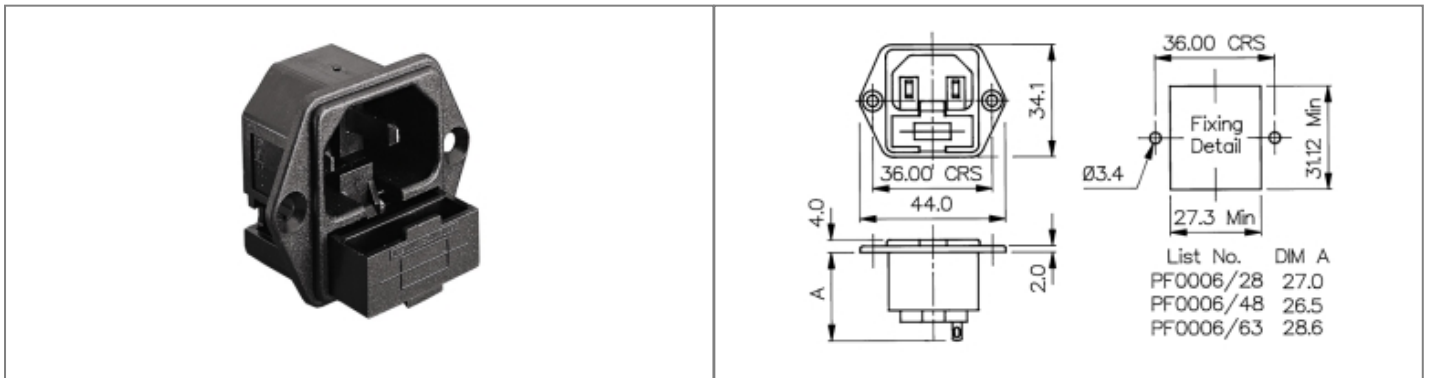


Product Name // IEC Connector Flange Mount Fused Inlet
2 Pin PF0006 Series White 2.8mm Solder Tag Termination
EN60 320-1 Standard Sheet C18 Class II

[View Product Page](#)


// Product Description:

- ⊕ Flange Mount Fused IEC Inlets
- ⊕ EN60 320-1 Standard Sheet C18 Class II
- ⊕ Cold Condition
- ⊕ Two Pin Class II (no Earth pin)
- ⊕ Single 5mm x 20mm fuse
- ⊕ Choice of Termination depending on part code: /28 - 2.8mm Solder Tag, /48 - 4.8mm Tab, /63 - 6.3mm Tab
- ⊕ Choice of colour depending on part code: /WH - White, /GY - Grey, no suffix - Black (some approvals apply to specific colours only - see data for details)
- ⊕ PF0007 Series has same specification as PF0006 Series but with fuse contacts isolated
- ⊕ Insulation Boot for rear of connector available separately (part code 11987)
- ⊕ Mate with PX0587, PX0587/SE, PX0588

// General Information:

Product Display Title:	Flange Mount Fused IEC Inlets
Product Family:	IEC Connectors
Product Series:	IEC60320 Main Inlets and Outlets
Approvals:	CSA, UL, RCM
Body Material:	Nylon 66
Current Max:	10A
Flamability Rating:	UL94V-0
Function:	Flange Mount Fused Connector
iec Connector Colour:	White
iec Connector Mates With:	PX0587,PX0587/SE,PX0588
iec En60620 Type:	EN60 320-1 Standard Sheet C18 Class II
Max Operating Temperature:	+70°C
Min Operating Temperature:	-40°C
Number Of Contacts:	2 Contacts
Voltage Max:	250V

// Product PDF Links

[IEC Connectors product data](#)

// Product 3D CAD Model Links

[PF0006/28/WH3D CAD Model](#)

// Product Certificate Links

[VDE Certificate - PF6, PF7](#)
[VDE Certificate - PF IEC Version](#)
[UL E92187-19840831 Certificate](#)
[UL E92187-19860429 Certificate](#)
[CSA CoFC 1613502 Certificate -...](#)