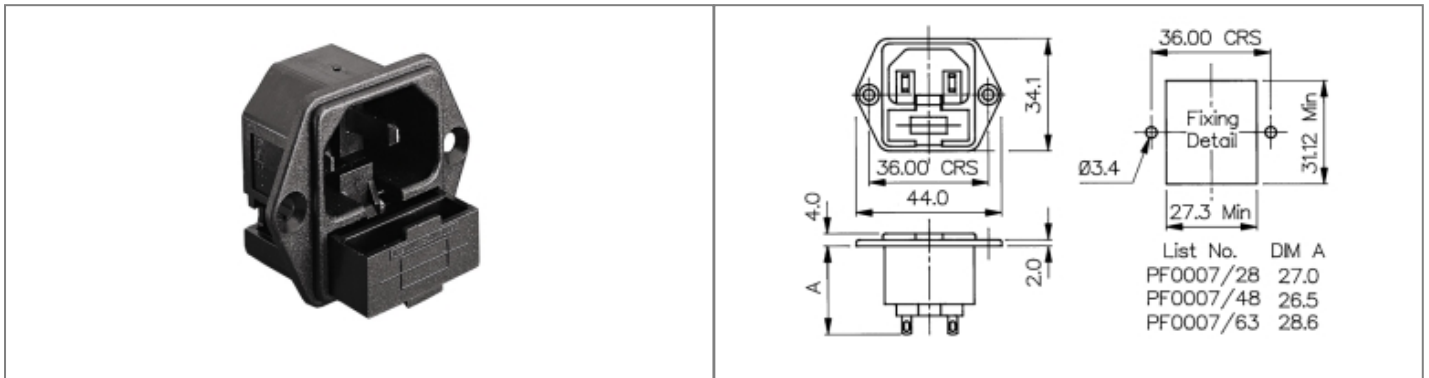


# PF0007/28/WH Datasheet

**Product Name // IEC Connector Flange Mount Fused Inlet with Isolated Fuse Contacts 2 Pin PF0007 Series White 2.8mm Solder Tag Termination EN60 320-1 Standard Sheet C18 Class II**

[View Product Page](#)



## // Product Description:

- ⊕ Flange Mount Fused IEC Inlets
- ⊕ EN60 320-1 Standard Sheet C18 Class II
- ⊕ Cold Condition
- ⊕ Two Pin Class II (no Earth pin)
- ⊕ Single 5mm x 20mm fuse
- ⊕ Choice of Termination depending on part code: /28 - 2.8mm Solder Tag, /48 - 4.8mm Tab, /63 - 6.3mm Tab
- ⊕ Choice of colour depending on part code: /WH - White, /GY - Grey, no suffix - Black (some approvals apply to specific colours only - see data for details)
- ⊕ PF0007 Series has same specification as PF0006 Series but with fuse contacts isolated
- ⊕ Insulation Boot for rear of connector available separately (part code 11987)
- ⊕ Mate with PX0587, PX0587/SE, PX0588

## // General Information:

Product Display Title:	Flange Mount Fused IEC Inlets
Product Family:	IEC Connectors
Product Series:	IEC60320 Main Inlets and Outlets
Approvals:	CSA, UL, RCM
Body Material:	Nylon 66
Current Max:	10A
Flamability Rating:	UL94V-0
Function:	Flange Mount Fused Connector
iec Connector Colour:	White
iec Connector Mates With:	PX0587,PX0587/SE,PX0588
iec En60620 Type:	EN60 320-1 Standard Sheet C18 Class II
Max Operating Temperature:	+70°C
Min Operating Temperature:	-40°C
Number Of Contacts:	2 Contacts
Voltage Max:	250V

### // Product PDF Links

[IEC Connectors product data](#)

### // Product 3D CAD Model Links

[PF0007/28/WH3D CAD Model](#)