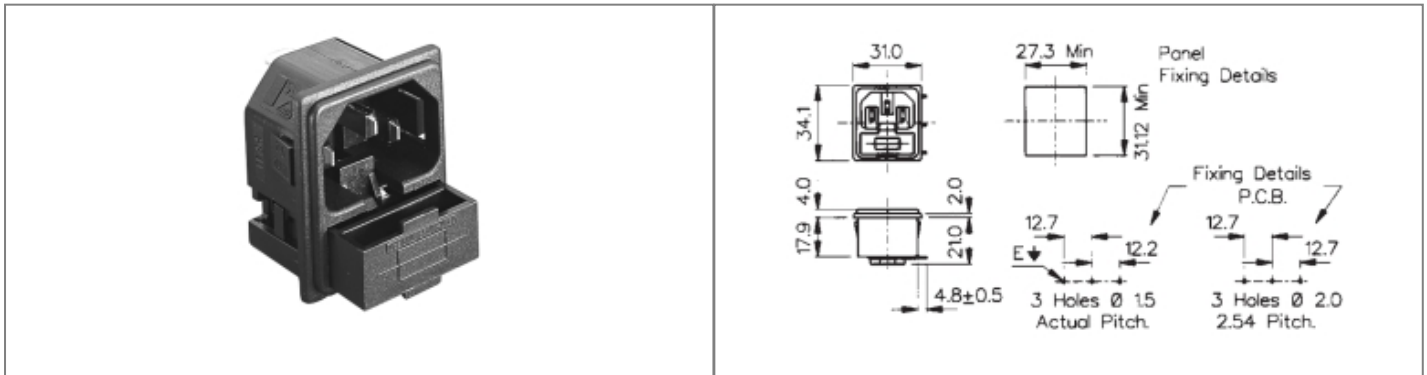


PF0011/30/PC/GY Datasheet

Product Name // IEC Connector PCB Mount Snap Fit To Panel Fused Inlet PF0011 Series 3mm Panel Grey PCB Spills Termination EN60 320-1 Standard Sheet C14 Class I

[View Product Page](#)



// Product Description:

- ⊞ Snap Fit Panel Mount Fused IEC Inlets
- ⊞ EN60 320-1 Standard Sheet C14 Class I
- ⊞ Cold Condition
- ⊞ Single 5mm x 20mm fuse with spare fuse facility
- ⊞ Choice of panel thickness depending on part code: /10 - 1mm, /15 - 1.5mm, /20 - 2mm, /30 - 3mm
- ⊞ Choice of Termination depending on part code: /28 - 2.8mm Solder Tag, /48 - 4.8mm Tab, /63 - 6.3mm Tab, /PC - PCB Spills
- ⊞ Choice of colour depending on part code: /WH - White, /GY - Grey, no suffix - Black (some approvals apply to specific colours only - see data for details)
- ⊞ Insulation Boot for rear of connector available separately (part code 11987) for all versions except PCB Mount
- ⊞ Mate with PX0587, PX0587/SE, PX0588

// General Information:

Product Display Title:	Snap Fit Panel Mount Fused IEC Inlets
Product Family:	IEC Connectors
Product Series:	IEC60320 Main Inlets and Outlets
Approvals:	CSA, UL, CCC
Body Material:	Nylon 66
Current Max:	10A
Flamability Rating:	UL94V-0
Function:	Panel Mount Fused Connector
iec Connector Colour:	Grey
iec Connector Mates With:	PX0587, PX0587/SE, PX0588
iec En60620 Type:	EN60 320-1 Standard Sheet C14 Class I
Max Operating Temperature:	+70°C
Min Operating Temperature:	-40°C
Max Panel Thickness:	3mm
Min Panel Thickness:	3mm
Number Of Contacts:	3 Contacts
Voltage Max:	250V

// Product PDF Links

[IEC Connectors product data](#)

// Product 3D CAD Model Links

[PF0011/30/PC/GY3D CAD Model](#)