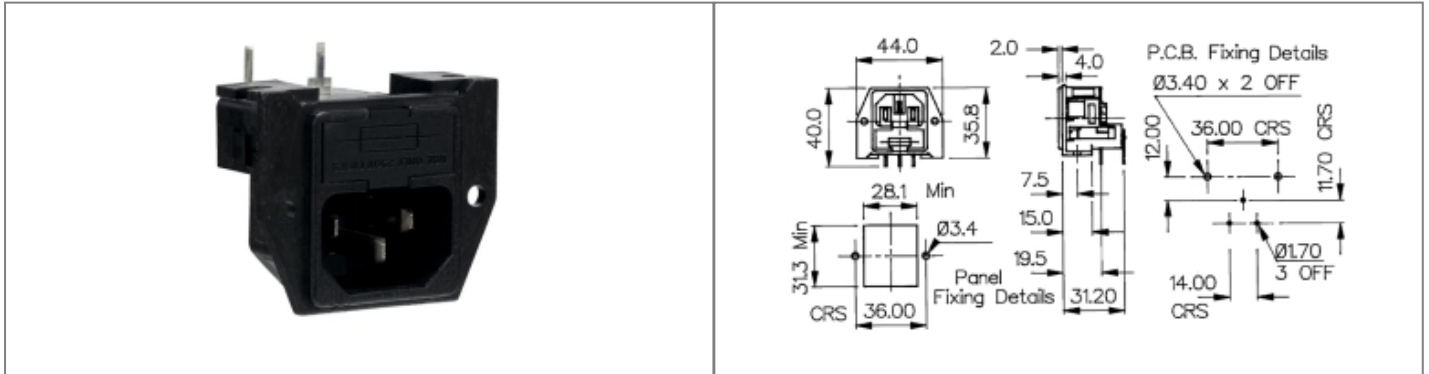


PF0030/PC Datasheet

Product Name // IEC Connector PCB Mount Flange Mount
Twin Fused Inlet PF0030 Series PCB Spills Termination
EN60 320-1 Standard Sheet C14 Class I

 [View Product Page](#)



// Product Description:

- ⊕ Flange Mount Twin Fused IEC Inlets
- ⊕ EN60 320-1 Standard Sheet C14 Class I
- ⊕ Cold Condition
- ⊕ Twin Fused, 5mm x 20mm fuses
- ⊕ Choice of Termination depending on part code: /28 - 2.8mm Solder Tag, /48 - 4.8mm Tab, /PC - PCB Spills
- ⊕ Insulation Boot for rear of connector available separately (part code 14317) for all versions except PCB Mount
- ⊕ Retaining Clip KT0009 available separately for all versions except PCB Mount to prevent accidental removal of mating connector (for use with PX0587 Female Connector only)
- ⊕ Mate with PX0587, PX0587/SE, PX0588

// General Information:

Product Display Title:	Flange Mount Twin Fused IEC Inlets
Product Family:	IEC Connectors
Product Series:	IEC60320 Main Inlets and Outlets
Approvals:	CSA
Body Material:	Nylon 66
Current Max:	10A
Flamability Rating:	UL94V-0
Function:	Flange Mount Fused Connector
iec Connector Mates With:	PX0587,PX0587/SE,PX0588
iec En60620 Type:	EN60 320-1 Standard Sheet C14 Class I
Max Operating Temperature:	+70°C
Min Operating Temperature:	-20°C
Number Of Contacts:	3 Contacts
Rohs Compliant:	Yes
Voltage Max:	250V

// Product PDF Links

 [IEC Connectors product data](#)

// Product 3D CAD Model Links

 [PF0030/PC3D CAD Model](#)