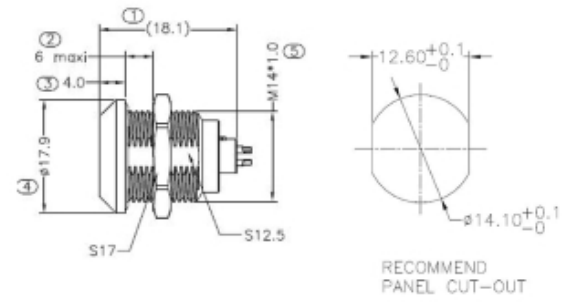


PPCEGG0K03CLL Datasheet

Product Name // 3 Contacts Fixed Socket 0Y Series Push Pull Connector

[View Product Page](#)

* Representative product image only



// Product Description:

- ⊞ 3 Contacts Fixed Socket 0Y Series Push Pull Connector
- ⊞ M14x1.0mm Thread
- ⊞ Nut Installation torque 5.0Nm
- ⊞ Available in Straight Plug version
- ⊞ ROHS compliance
- ⊞ IP66 rated
- ⊞ Temp:-50 C to +200 C
- ⊞ Solder Terminals
- ⊞ Durability >4500 cycles
- ⊞ Operating humidity up to 95%
- ⊞ Salt Spray Corrosion Test >144h
- ⊞ High packing density for space savings on panel mounts

// General Information:

Product Display Title:	0Y Series Fixed Socket Push Pull Connector
Product Family:	Circular Automation Connectors
Product Series:	Push Pull Connectors Y Series
Contact Pin Material:	Phosphor bronze gold plated 3u"
Coupling Nut Retention Force:	5Nm
Current Max:	8A
Diameter Over Coupling Ring Mm:	17.9mm
Durability:	>4500 cycles
Fixing Nut Material:	Nickel Plated brass
Function:	Fixed Socket Push Pull Connector
Insulator:	PPS
Ip Rating:	IP66
Max Contact Accomodation Awg:	22AWG
Max Contact Accomodation Mm2:	0.34mm ²
Max Operating Temperature:	+200°C
Min Operating Temperature:	-50°C
Max Panel Thickness:	6.0mm
Number Of Contacts:	3 Contacts
Operating Humidity:	0.95
Panel Cut Out:	14.10mmx12.60mm
Pin Pin Terminal Voltage:	1200V
Pin Shell Terminal Voltage:	900V
Push Pull Connector Series:	0Y Series
Rohs Compliant:	Yes
Salt Spray Corrosion Test:	48h
Shielding Efficiency Min:	95dB
Shielding Efficiency Max:	80dB
Shock Resistance:	100g
Terminal Diameter:	0.9mm
Thread Size:	M14x1.0mm
Vibration Resistance Min:	10Hz
Vibration Resistance Max:	2000Hz

// Product PDF Links

[Push-Pull Connector Y Series...](#)

// Product 3D CAD Model Links

[PPCEGG0K03CLL3D CAD Model](#)