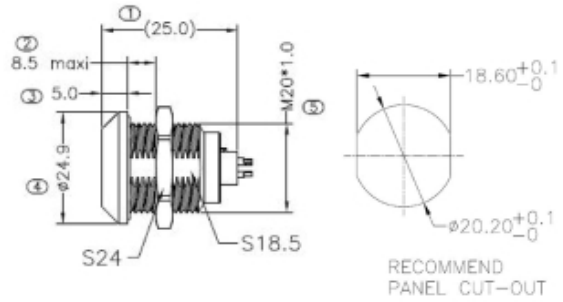


PPCEGG2K10CLL Datasheet

Product Name // 10 Contacts Fixed Socket 2Y Series Push Pull Connector

[View Product Page](#)

* Representative product image only



// Product Description:

- ⊕ 10 Contacts Fixed Socket 2Y Series Push Pull Connector
- ⊕ M20x1.0mm Thread
- ⊕ Nut Installation torque 9.0Nm
- ⊕ Available in Straight Plug version
- ⊕ ROHS compliance
- ⊕ IP66 rated
- ⊕ Temp:-50 C to +200 C
- ⊕ Solder Terminals
- ⊕ Durability >4500 cycles
- ⊕ Operating humidity up to 95%
- ⊕ Salt Spray Corrosion Test >144h
- ⊕ High packing density for space savings on panel mounts

// General Information:

Product Display Title:	2Y Series Fixed Socket Push Pull Connector
Product Family:	Circular Automation Connectors
Product Series:	Push Pull Connectors Y Series
Contact Pin Material:	Phosphor bronze gold plated 3u"
Coupling Nut Retention Force:	9Nm
Current Max:	8A
Diameter Over Coupling Ring Mm:	24.9mm
Durability:	>4500 cycles
Fixing Nut Material:	Nickel Plated brass
Function:	Fixed Socket Push Pull Connector
Insulator:	PPS
Ip Rating:	IP66
Max Contact Accomodation Awg:	22AWG
Max Contact Accomodation Mm2:	0.34mm2
Max Operating Temperature:	+200°C
Min Operating Temperature:	-50°C
Max Panel Thickness:	8.5mm
Number Of Contacts:	10 Contacts
Operating Humidity:	0.95
Panel Cut Out:	20.20mmx18.60mm
Pin Pin Terminal Voltage:	1450V
Pin Shell Terminal Voltage:	1300V
Push Pull Connector Series:	2Y Series
Rohs Compliant:	Yes
Salt Spray Corrosion Test:	48h
Shielding Efficiency Min:	95dB
Shielding Efficiency Max:	80dB
Shock Resistance:	100g
Terminal Diameter:	0.9mm
Thread Size:	M20x1.0mm
Vibration Resistance Min:	10Hz
Vibration Resistance Max:	2000Hz

// Product PDF Links

[Push-Pull Connector Y Series...](#)

// Product 3D CAD Model Links

[PPCEGG2K10CLL3D CAD Model](#)