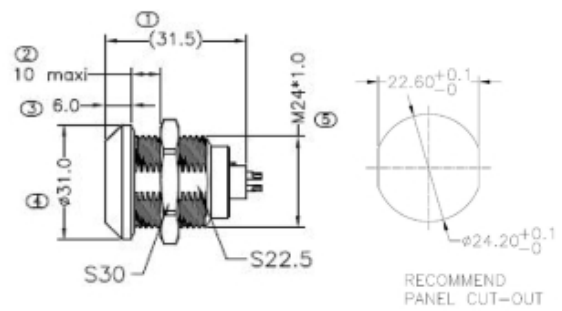
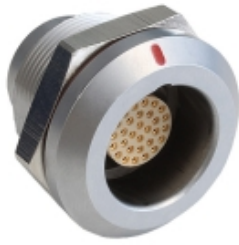


PPCEGG3K07CLL Datasheet

Product Name // 7 Contacts Fixed Socket 3Y Series Push Pull Connector

[View Product Page](#)

* Representative product image only



// Product Description:

- ⊞ 7 Contacts Fixed Socket 3Y Series Push Pull Connector
- ⊞ M24x1.0mm Thread
- ⊞ Nut Installation torque 12Nm
- ⊞ Available in Straight Plug version
- ⊞ ROHS compliance
- ⊞ IP66 rated
- ⊞ Temp:-50 C to +200 C
- ⊞ Solder Terminals
- ⊞ Durability >4500 cycles
- ⊞ Operating humidity up to 95%
- ⊞ Salt Spray Corrosion Test >144h
- ⊞ High packing density for space savings on panel mounts

// General Information:

Product Display Title:	3Y Series Fixed Socket Push Pull Connector
Product Family:	Circular Automation Connectors
Product Series:	Push Pull Connectors Y Series
Contact Pin Material:	Phosphor bronze gold plated 3u"
Coupling Nut Retention Force:	12Nm
Current Max:	15A
Diameter Over Coupling Ring Mm:	31mm
Durability:	>4500 cycles
Fixing Nut Material:	Nickel Plated brass
Function:	Fixed Socket Push Pull Connector
Insulator:	PPS
Ip Rating:	IP66
Max Contact Accomodation Awg:	16AWG
Max Contact Accomodation Mm2:	1.5mm ²
Max Operating Temperature:	+200°C
Min Operating Temperature:	-50°C
Max Panel Thickness:	10mm
Number Of Contacts:	7 Contacts
Operating Humidity:	0.95
Panel Cut Out:	24.20mmx22.60mm
Pin Pin Terminal Voltage:	1700V
Pin Shell Terminal Voltage:	1250V
Push Pull Connector Series:	3Y Series
Rohs Compliant:	Yes
Salt Spray Corrosion Test:	48h
Shielding Efficiency Min:	95dB
Shielding Efficiency Max:	80dB
Shock Resistance:	100g
Terminal Diameter:	1.6mm
Thread Size:	M24x1.0mm
Vibration Resistance Min:	10Hz
Vibration Resistance Max:	2000Hz

// Product PDF Links

[Push-Pull Connector Y Series...](#)

// Product 3D CAD Model Links

[PPCEGG3K07CLL3D CAD Model](#)