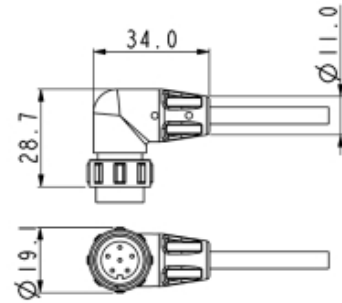


PX0402/001/12P Datasheet

**Product Name // Right-Angle Overmould Flex Cable
Connector PX0402 Series Pre-Wired 1M Cable 12 Contact
Plug**

 [View Product Page](#)



// Product Description:

- ⊕ Right-Angled Overmoulded Flex Connector pre-wired cable assemblies
- ⊕ Water and dustproof to IP68 when mated with compatible connector
- ⊕ Pin or Socket
- ⊕ 2, 3, 4, 6, 8, 10 or 12 Contact
- ⊕ Cable acceptance 2.5mm-9mm
- ⊕ Choice of cable length depending on part code
- ⊕ PX0481 Sealing Cap available separately to maintain IP rating of unmated connectors
- ⊕ Mates with PX0401, PX0411 Inline Connectors and PX0412, PX0413 Panel Mount Connectors


// General Information:

Product Display Title:	Right-Angled Overmoulded Flex Connector pre-wired cable assemblies
Product Family:	Circular Power Connectors
Product Series:	400 Series Buccaneer
Approvals:	CSA, UL, VDE
Body Material:	Polyurethane (PU)
Cable Length:	1m
Contact Type:	Plug Contact
Coupling Type:	Screw
Current Max:	1A
Diameter Over Coupling Ring Mm:	19.1mm
Flamability Rating:	UL94V-HB
Function:	Right Angle Flex Connector Single Ended Cable
Ip Rating:	IP68, IP69K
Max Operating Temperature:	+85°C
Min Operating Temperature:	-20°C
Number Of Contacts:	12 Contacts
Voltage Max:	50V

// Product PDF Links

 [400 Series power connectors...](#)

// Product 3D CAD Model Links

 [PX0402/001/12P3D CAD Model](#)