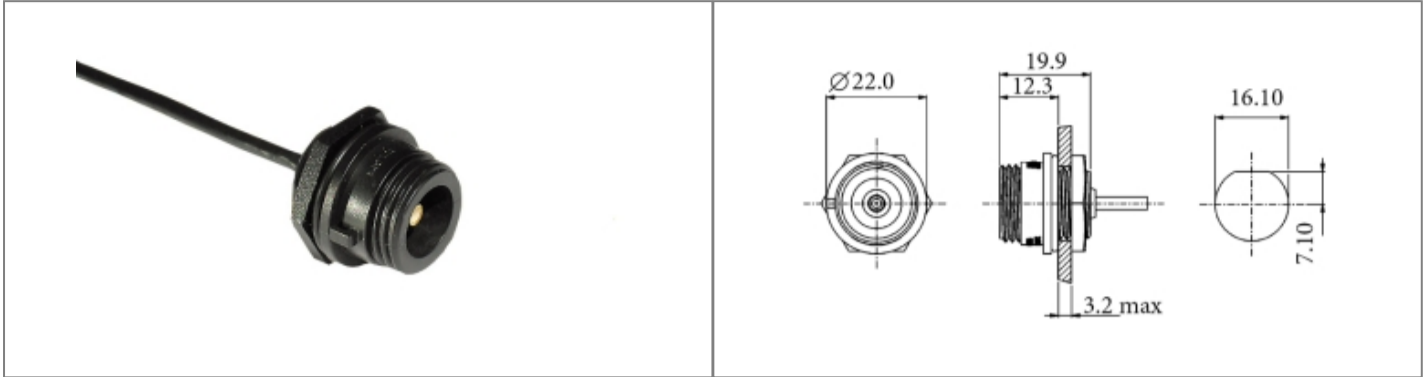


PX0414/1M00 Datasheet

Product Name // Front Panel Mount SMB Jack Connector
1.0M cable PX0414 Series

[View Product Page](#)



// Product Description:

- ⊕ Front Panel Mount SMB Connector
- ⊕ Water and dustproof to IP68 when mated with compatible connector
- ⊕ Frequency range 0-4GHz
- ⊕ Supplied with 50 Ohm impedance SMB plug terminated with RG-174 cable in a choice of cable lengths depending on part code (U.FL cable version also available on request)
- ⊕ PX0480 Sealing Cap available separately to maintain IP rating of unmated connectors
- ⊕ Mate with Flex Connectors PX0415, PX0416

// General Information:

Product Display Title:	Front Panel Mount SMB Connector
Product Family:	Circular Data Connectors
Product Series:	400 Series - SMB Buccaneer
Approvals:	CSA, UL, VDE
Body Material:	Polyamide (PA)
Body Material Type:	Plastic Body
Cable Length:	1m
Contact Type:	Socket Contact
Coupling Type:	Screw
Diameter Over Coupling Ring Mm:	19.1mm
Flamability Rating:	UL94V-0
Function:	Front Panel Mount Connector
Ip Rating:	IP68, IP69K
Max Operating Temperature:	+80°C
Min Operating Temperature:	-40°C
Number Of Contacts:	1 Contact

// Product PDF Links

[400 Series SMB connectors product...](#)

// Product 3D CAD Model Links

[PX0414/1M003D CAD Model](#)