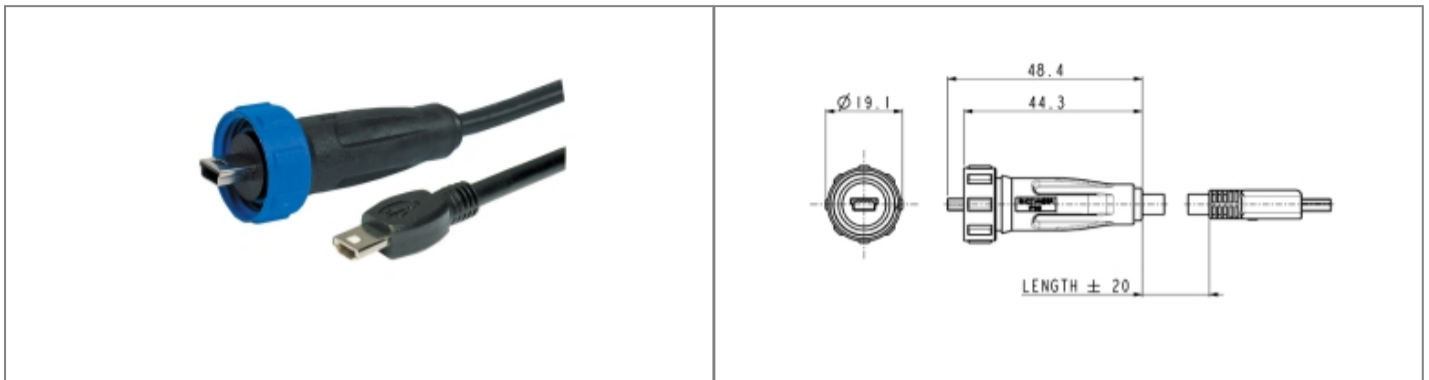


# PX0442/2M00 Datasheet

**Product Name // Fully Overmoulded USB Cable PX0442**  
**Series USB Mini A Plug To Sealed Mini B Plug 2M Cable**

 [View Product Page](#)



## // Product Description:

- ⊕ Pre-Wired Fully Overmoulded USB V2.0 Cable
- ⊕ Water and dustproof to IP68 when mated with compatible connector
- ⊕ Choice of:
- ⊕ Standard USB Type A plug to Sealed Mini USB Type B plug (part codes prefixed PX0441)
- ⊕ Mini USB Type A plug to Sealed Mini USB Type B plug (part codes prefixed PX0442)
- ⊕ Mini USB Type B plug to Sealed Mini USB Type A plug (part codes prefixed PX0444)
- ⊕ Choice of cable lengths depending on part code
- ⊕ PX0485 Sealing Cap available separately to maintain IP rating of unmated connectors
- ⊕ All connectors mate with PX0456, PX0457, PX0458. Additionally PX0441, PX0442 mate with PX0443, PX0446, PX0447

## // General Information:

<b>Product Display Title:</b>	Pre-Wired Fully Overmoulded USB V2.0 Cable
<b>Product Family:</b>	Circular Data Connectors
<b>Product Series:</b>	400 Series - Mini USB Buccaneer
<b>Change Notes:</b>	PRODUCT-MOQ-ADJUSTMENT
<b>Approvals:</b>	CSA, UL, VDE
<b>Body Material:</b>	PVC
<b>Cable Length:</b>	2m
<b>Contact Type:</b>	Plug Contact
<b>Coupling Type:</b>	Screw
<b>Current Max:</b>	1A
<b>Data Cable Type:</b>	USB Mini A Plug To Sealed Mini B Plug
<b>Diameter Over Coupling Ring Mm:</b>	19.1mm
<b>Flamability Rating:</b>	UL94V-0
<b>Function:</b>	Flex to Standard Connector Double Ended Cable
<b>Ip Rating:</b>	IP68, IP69K
<b>Max Operating Temperature:</b>	+70°C
<b>Min Operating Temperature:</b>	0°C
<b>Number Of Contacts:</b>	5 Contacts
<b>Voltage Max:</b>	42V

### // Product PDF Links

 [400 Series USB connectors product...](#)

### // Product 3D CAD Model Links

 [PX0442/2M003D CAD Model](#)