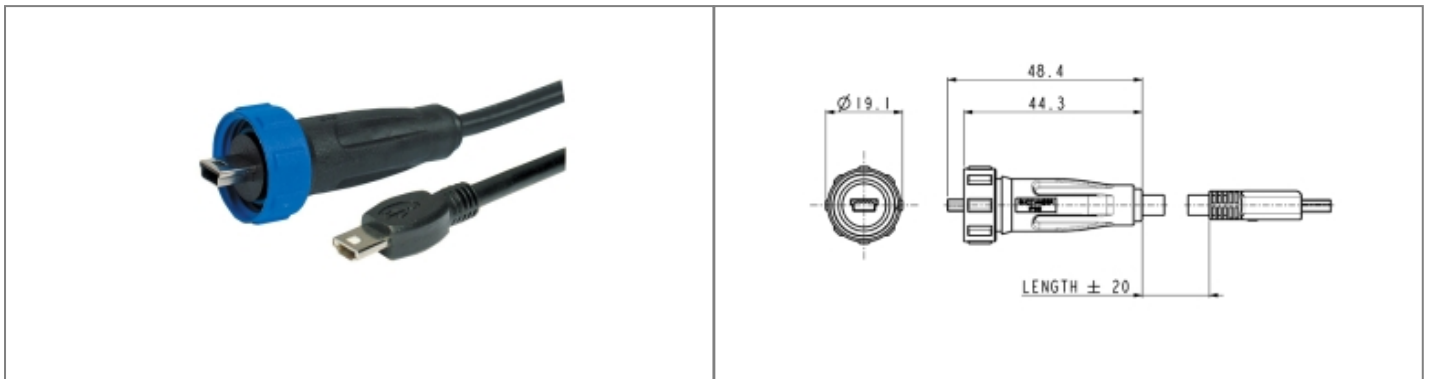


PX0442/4M50 Datasheet

Product Name // Fully Overmoulded USB Cable PX0442
Series USB Mini A Plug To Sealed Mini B Plug 4.5M Cable

 [View Product Page](#)



// Product Description:

- ⊕ Pre-Wired Fully Overmoulded USB V2.0 Cable
- ⊕ Water and dustproof to IP68 when mated with compatible connector
- ⊕ Choice of:
- ⊕ Standard USB Type A plug to Sealed Mini USB Type B plug (part codes prefixed PX0441)
- ⊕ Mini USB Type A plug to Sealed Mini USB Type B plug (part codes prefixed PX0442)
- ⊕ Mini USB Type B plug to Sealed Mini USB Type A plug (part codes prefixed PX0444)
- ⊕ Choice of cable lengths depending on part code
- ⊕ PX0485 Sealing Cap available separately to maintain IP rating of unmated connectors
- ⊕ All connectors mate with PX0456, PX0457, PX0458. Additionally PX0441, PX0442 mate with PX0443, PX0446, PX0447

// General Information:

Product Display Title:	Pre-Wired Fully Overmoulded USB V2.0 Cable
Product Family:	Circular Data Connectors
Product Series:	400 Series - Mini USB Buccaneer
Approvals:	CSA, UL, VDE
Body Material:	PVC
Cable Length:	4.5m
Contact Type:	Plug Contact
Coupling Type:	Screw
Current Max:	1A
Data Cable Type:	USB Mini A Plug To Sealed Mini B Plug
Diameter Over Coupling Ring Mm:	19.1mm
Flamability Rating:	UL94V-0
Function:	Flex to Standard Connector Double Ended Cable
Ip Rating:	IP68, IP69K
Max Operating Temperature:	+70°C
Min Operating Temperature:	0°C
Number Of Contacts:	5 Contacts
Voltage Max:	42V

// Product PDF Links

 [400 Series USB connectors product...](#)

// Product 3D CAD Model Links

 [PX0442/4M503D CAD Model](#)