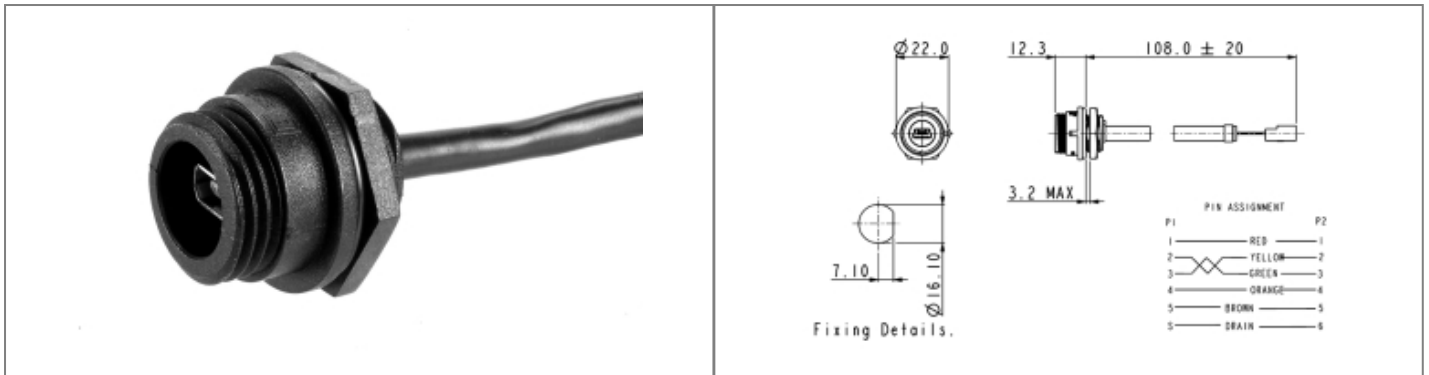


PX0456 Datasheet

Product Name // Front Panel Mount Connector USB Sealed Mini AB Socket to 6 Way Crimp

[View Product Page](#)


// Product Description:

- Front Panel Mount Leaded Mini USB Type AB Socket
- Water and dustproof to IP68 when mated with compatible connector
- 108mm lead terminating in a 6 way crimp connector for use with PCB header (available separately, part code 14563, 14564)
- PX0480 Sealing Cap available separately to maintain IP rating of unmated connectors
- Mates with PX0441 & PX0442

// General Information:

Product Display Title:	Front Panel Mount Leaded Mini USB Type AB Socket
Product Family:	Circular Data Connectors
Product Series:	400 Series - Mini USB Buccaneer
Change Notes:	PRODUCT-MOQ-ADJUSTMENT
Body Material:	Polyamide (PA)
Body Material Type:	Plastic Body
Contact Type:	Socket Contact
Coupling Type:	Screw
Current Max:	1A
Data Cable Type:	USB Sealed Mini AB Socket to 6 Way Crimp
Diameter Over Coupling Ring Mm:	19.1mm
Flamability Rating:	UL94V-0
Function:	Front Panel Mount Connector
Ip Rating:	IP68, IP69K
Max Operating Temperature:	+70°C
Min Operating Temperature:	0°C
Number Of Contacts:	6 Contacts
Voltage Max:	42V

// Product PDF Links

[400 Series USB connectors product...](#)

// Product 3D CAD Model Links

[PX04563D CAD Model](#)