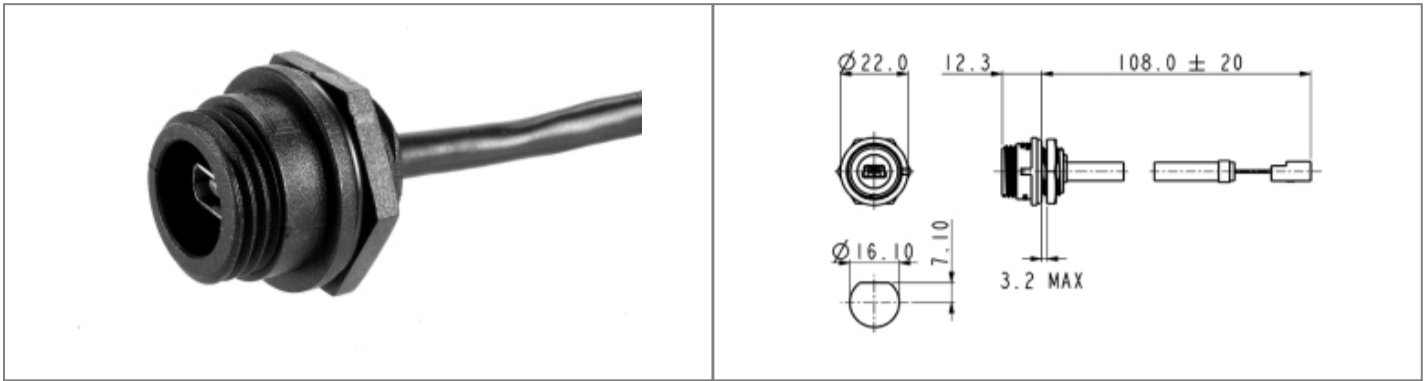


PX0459 Datasheet

Product Name // Front Panel Mount Connector USB Sealed Mini B Socket to 5 Way Crimp with exposed braid

[View Product Page](#)


// Product Description:

- ⊕ Front Panel Mount Leaded Mini USB Type B Socket
- ⊕ Water and dustproof to IP68 when mated with compatible connector
- ⊕ PX0443 has a 108mm lead terminating in a 5 way crimp connector for use with PC header (available separately)
- ⊕ PX0459 is identical to PX0443 but with exposed braid for use with PX0464 screening can (available separately)
- ⊕ PX0480 Sealing Cap available separately to maintain IP rating of unmated connectors
- ⊕ Mate with PX0441, PX0442 Cables

// General Information:

Product Display Title:	Front Panel Mount Leaded Mini USB Type B Socket
Product Family:	Circular Data Connectors
Product Series:	400 Series - Mini USB Buccaneer
Body Material:	Polyamide (PA)
Body Material Type:	Plastic Body
Contact Type:	Socket Contact
Coupling Type:	Screw
Current Max:	1A
Data Cable Type:	USB Sealed Mini B Socket to 5 Way Crimp with exposed braid
Diameter Over Coupling Ring Mm:	19.1mm
Flamability Rating:	UL94V-0
Function:	Front Panel Mount Connector
Ip Rating:	IP68, IP69K
Max Operating Temperature:	+70°C
Min Operating Temperature:	0°C
Number Of Contacts:	5 Contacts
Voltage Max:	42V

// Product PDF Links

[400 Series USB connectors product...](#)

// Product 3D CAD Model Links

[PX04593D CAD Model](#)