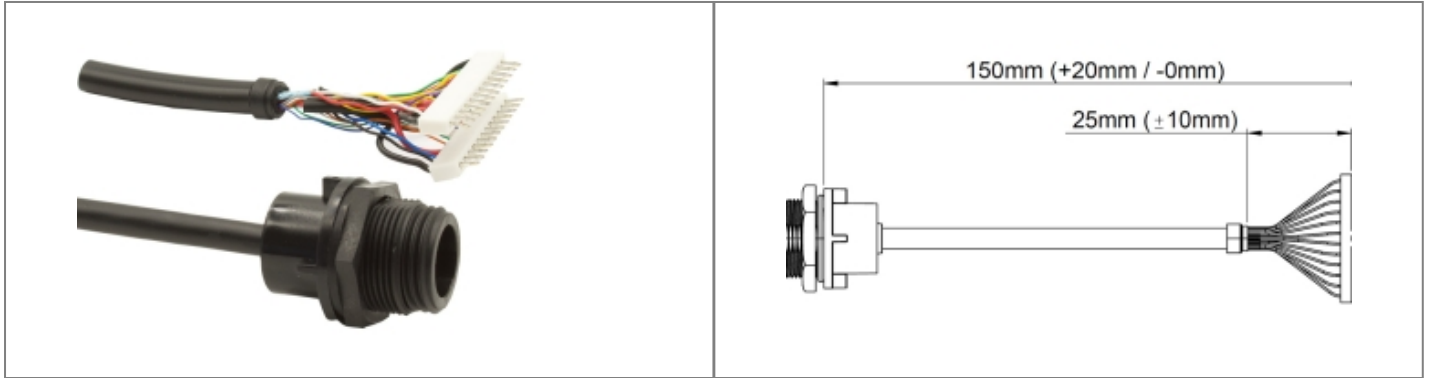


PX0473/C Datasheet

Product Name // 400 Series Rear Panel Mount, USB-C Socket To 2x12 PCB Header

[View Product Page](#)


// Product Description:

- ⬢ C-Type USB 3.2 Gen 2 Panel Mount Socket
- ⬢ Sealed C-Type USB socket to 2x12 PCB header
- ⬢ Socket sealed to IP68 when mated with compatible connector
- ⬢ Single hole mounting, rear of panel
- ⬢ Fixing nut on front of panel
- ⬢ 0.15m cable length
- ⬢ 10Gbps transfer speed, 3A charging
- ⬢ PX0484 Sealing Cap available separately to maintain IP rating of unmated connectors
- ⬢ Mates with PX0477 and PX0478 cable connectors

// General Information:

Product Display Title:	IP-sealed 'C' type USB socket, rear panel mounted, 2x12 PCB header at rear
Product Family:	Circular Data Connectors
Product Series:	400 Data Connectors
Body Material:	Nylon
Body Material Type:	Plastic Body
Cable Length:	0.15m
Contact Type:	Socket Contact
Coupling Type:	Screw
Flamability Rating:	UL94V-0
Function:	Socket to PCB Header Panel Mount
Ip Rating:	IP67, IP68
Max Operating Temperature:	+70°C
Min Operating Temperature:	-35°C
Number Of Contacts:	24 Contacts

// Product PDF Links

[400 Series C Type USB Buccaneer...](#)

// Product 3D CAD Model Links

[PX0473/C3D CAD Model](#)