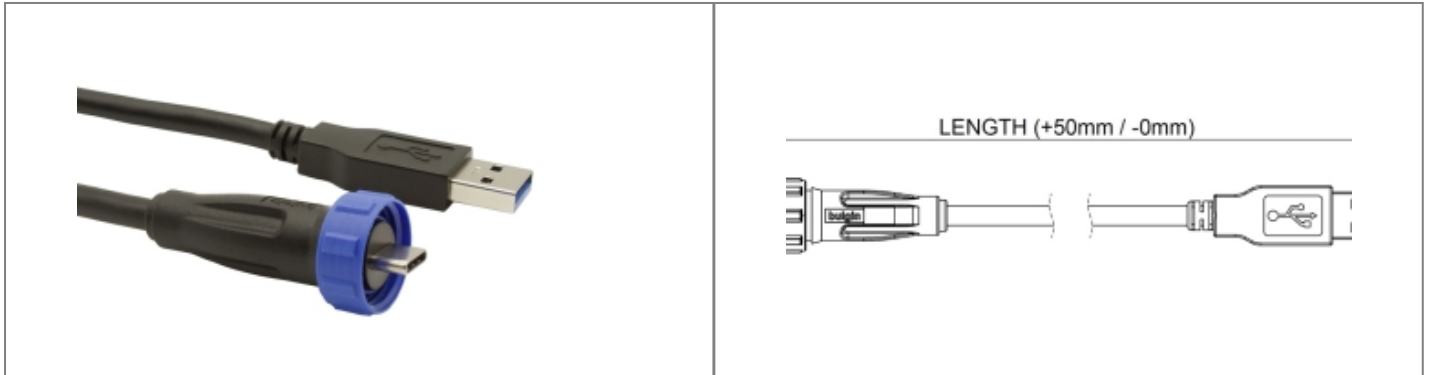


PX0477/C/A/1M00 Datasheet

**Product Name // 400 Series USB-C Cable Assembly, Flex
USB-C To USB-A, 1m**

 [View Product Page](#)



// Product Description:

-  Overmoulded C-Type USB 3.2 Gen 2 Cable
-  Standard USB Type A plug to Sealed C-Type USB plug
-  USB-C end sealed to IP68 when mated with compatible connector
-  1m cable length
-  10Gbps transfer speed, 3A charging
-  PX0485 Sealing Cap available separately to maintain IP rating of unmated connectors
-  Mates with PX0472 and PX0473 panel mount connectors

// General Information:

Product Display Title:	IP-sealed 'C' type to Standard 'A' type USB, 1m of Cable
Product Family:	Circular Data Connectors
Product Series:	400 Data Connectors
Body Material:	PVC/Nylon
Body Material Type:	Plastic Body
Cable Length:	1m
Contact Type:	Plug Contact
Coupling Type:	Screw
Flamability Rating:	UL94V-0
Function:	Flex to Standard Connector Double-Ended Cable
Ip Rating:	IP67, IP68
Max Operating Temperature:	+70°C
Min Operating Temperature:	-35°C
Number Of Contacts:	24 Contacts

// Product PDF Links

 [400 Series C Type USB Buccaneer...](#)

// Product 3D CAD Model Links

 [PX0477/C/A/1M003D CAD Model](#)