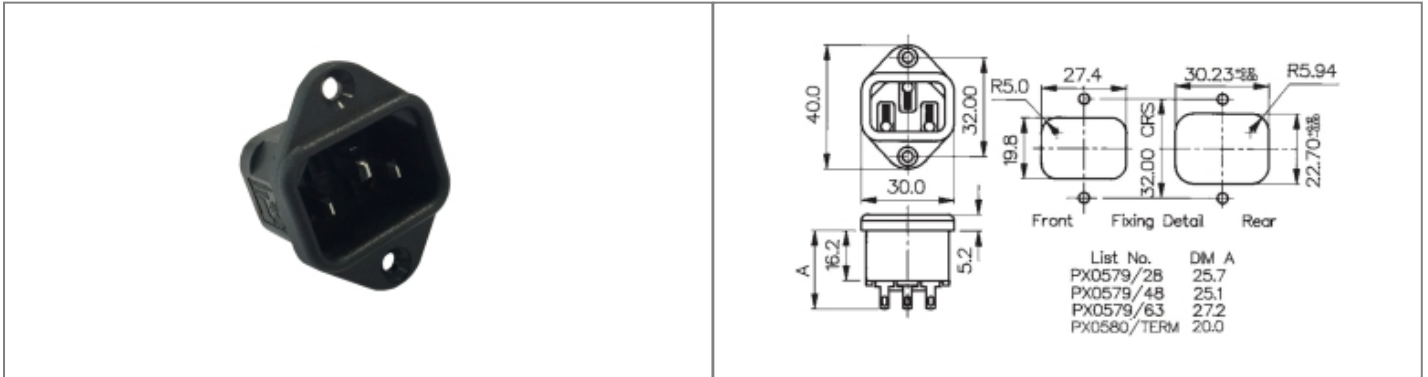


PX0579/63 Datasheet

Product Name // IEC Connector Vertical Flange Mount
Inlet PX0579 Series Black 6.3mm Tab Termination EN60 320-1 Standard Sheet C14 Class I

[View Product Page](#)


// Product Description:

- ⊞ Vertical Flange Mount IEC Inlets
- ⊞ EN60 320-1 Standard Sheet C14 Class I
- ⊞ Choice of Termination depending on part code: /28 - 2.8mm Solder Tag, /48 - 4.8mm Tab, /63 - 6.3mm Tab, /TERM - Screw Terminal
- ⊞ Choice of colour depending on part code: /WH - White, /GY - Grey, no suffix - Black (some approvals apply to specific colours only - see data for details)
- ⊞ Insulation Boot for rear of connector available separately (part code 11328)
- ⊞ Mate with PX0587, PX0587/SE, PX0588
- ⊞ Also available as Flange Mount (PX0580 Series) with additional PCB Mount options

// General Information:

| | |
|----------------------------|---------------------------------------|
| Product Display Title: | Vertical Flange Mount IEC Inlets |
| Product Family: | IEC Connectors |
| Product Series: | IEC60320 Main Inlets and Outlets |
| Approvals: | CSA, ENEC, UL, VDE |
| Body Material: | Nylon 66 |
| Current Max: | 10A, 15A |
| Flamability Rating: | UL94V-0 |
| Function: | Flange Mount Connector |
| iec Connector Colour: | Black |
| iec Connector Mates With: | PX0587, PX0587/SE, PX0588 |
| iec En60620 Type: | EN60 320-1 Standard Sheet C14 Class I |
| Max Operating Temperature: | +70°C |
| Min Operating Temperature: | -40°C |
| Number Of Contacts: | 3 Contacts |
| Rohs Compliant: | Yes |
| Voltage Max: | 250V |

// Product PDF Links

[IEC Connectors product data](#)

// Product 3D CAD Model Links

[PX0579/633D CAD Model](#)

// Product Certificate Links

[UL E70394 Certificate](#)