

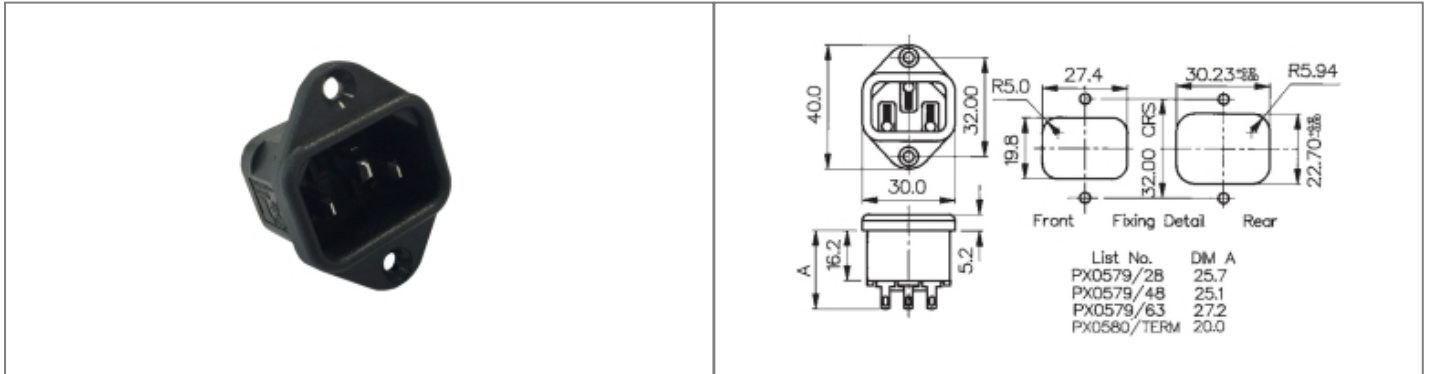
PX0579/TERM/GY Datasheet

Product Name // IEC Connector Vertical Flange Mount

Inlet PX0579 Series Grey Screw Terminals EN60 320-1

Standard Sheet C14 Class I

 [View Product Page](#)



// Product Description:

- ⊕ Vertical Flange Mount IEC Inlets
- ⊕ EN60 320-1 Standard Sheet C14 Class I
- ⊕ Choice of Termination depending on part code: /28 - 2.8mm Solder Tag, /48 - 4.8mm Tab, /63 - 6.3mm Tab, /TERM - Screw Terminal
- ⊕ Choice of colour depending on part code: /WH - White, /GY - Grey, no suffix - Black (some approvals apply to specific colours only - see data for details)
- ⊕ Insulation Boot for rear of connector available separately (part code 11328)
- ⊕ Mate with PX0587, PX0587/SE, PX0588
- ⊕ Also available as Flange Mount (PX0580 Series) with additional PCB Mount options

// General Information:

Product Display Title:	Vertical Flange Mount IEC Inlets
Product Family:	IEC Connectors
Product Series:	IEC60320 Main Inlets and Outlets
Approvals:	CSA, ENEC, UL, VDE
Body Material:	Nylon 66
Current Max:	10A, 15A
Flamability Rating:	UL94V-0
Function:	Flange Mount Connector
iec Connector Colour:	Grey
iec Connector Mates With:	PX0587,PX0587/SE,PX0588
iec En60620 Type:	EN60 320-1 Standard Sheet C14 Class I
Max Operating Temperature:	+70°C
Min Operating Temperature:	-40°C
Number Of Contacts:	3 Contacts
Voltage Max:	250V

// Product PDF Links

 [IEC Connectors product data](#)

// Product 3D CAD Model Links

 [PX0579/TERM/GY3D CAD Model](#)