

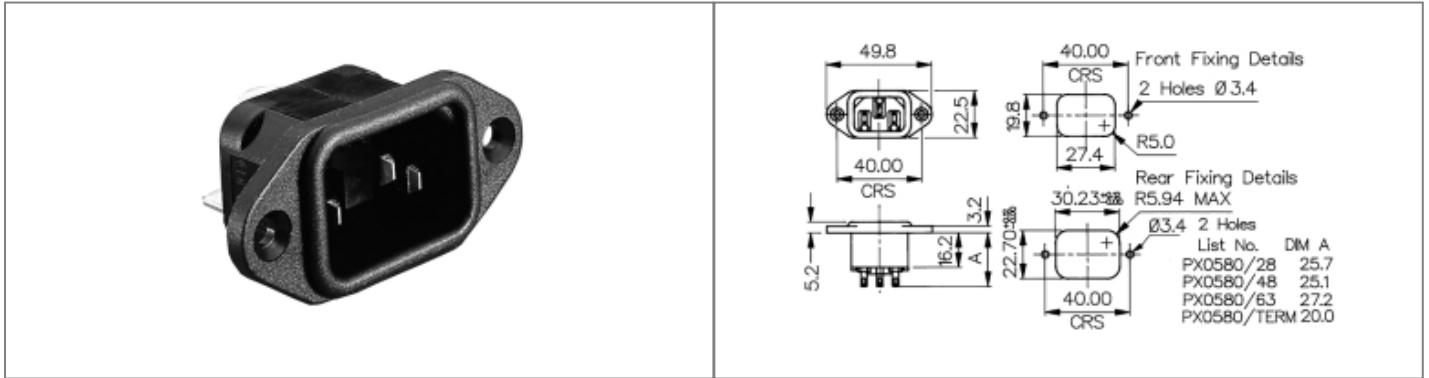
# PX0580/48 Datasheet

**Product Name // IEC Connector Flange Mount Inlet**

**PX0580 Series Black 4.8mm Tab Termination EN60 320-1**

**Standard Sheet C14 Class I**

 [View Product Page](#)



## // Product Description:

- ⊗ Flange Mount IEC Inlets
- ⊗ EN60 320-1 Standard Sheet C14 Class I
- ⊗ Cold Condition
- ⊗ Choice of Termination depending on part code: /28 - 2.8mm Solder Tag, /48 - 4.8mm Tab, /63 - 6.3mm Tab, /TERM - Screw Terminal, /PC - PCB Spills
- ⊗ PCB Mount version also available with additional 4.8mm Tab Earth connection at top of connector (part codes containing /PC/7)
- ⊗ Choice of colour depending on part code: /WH - White, /GY - Grey, no suffix - Black (some approvals apply to specific colours only - see data for details)
- ⊗ PCB Mount version without additional Earth Tab (part codes containing /PC) available with rear cover (part codes suffixed /12132), for all other versions Insulation Boot for rear of connector available separately (part code 11328)
- ⊗ Retaining Clip KT0006 available separately to prevent accidental removal of mating connector (for use with PX0587 Female Connector only)
- ⊗ Mate with PX0587, PX0587/SE, PX0588
- ⊗ Also available as Vertical Flange Mount (PX0579 Series)


## // General Information:

Product Display Title:	Flange Mount IEC Inlets
Product Family:	IEC Connectors
Product Series:	IEC60320 Main Inlets and Outlets
Approvals:	CSA, ENEC, UL, VDE
Body Material:	Nylon 66
Current Max:	10A, 15A
Flamability Rating:	UL94V-0
Function:	Flange Mount Connector
iec Connector Colour:	Black
iec Connector Mates With:	PX0587, PX0587/SE, PX0588
iec En60620 Type:	EN60 320-1 Standard Sheet C14 Class I
Max Operating Temperature:	+70°C
Min Operating Temperature:	-40°C
Number Of Contacts:	3 Contacts
Rohs Compliant:	Yes
Voltage Max:	250V

### // Product PDF Links

 [IEC Connectors product data](#)

### // Product 3D CAD Model Links

 [PX0580/483D CAD Model](#)