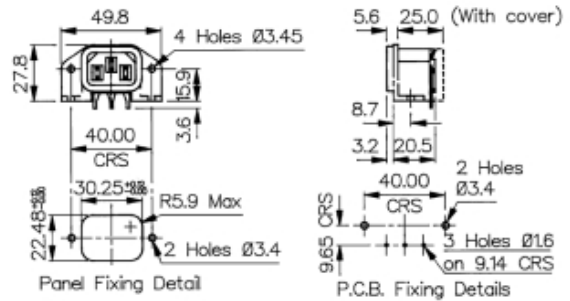


**Product Name // IEC Connector PCB Mount Flange Rear**  
**Mount Inlet PX0580 Series White With Rear Cover PCB**  
**Spills Termination EN60 320-1 Standard Sheet C14 Class I**

[View Product Page](#)


### // Product Description:

- Flange Mount IEC Inlets
- EN60 320-1 Standard Sheet C14 Class I
- Cold Condition
- Choice of Termination depending on part code: /28 - 2.8mm Solder Tag, /48 - 4.8mm Tab, /63 - 6.3mm Tab, /TERM - Screw Terminal, /PC - PCB Spills
- PCB Mount version also available with additional 4.8mm Tab Earth connection at top of connector (part codes containing /PC/7)
- Choice of colour depending on part code: /WH - White, /GY - Grey, no suffix - Black (some approvals apply to specific colours only - see data for details)
- PCB Mount version without additional Earth Tab (part codes containing /PC) available with rear cover (part codes suffixed /12132), for all other versions Insulation Boot for rear of connector available separately (part code 11328)
- Retaining Clip KT0006 available separately to prevent accidental removal of mating connector (for use with PX0587 Female Connector only)
- Mate with PX0587, PX0587/SE, PX0588
- Also available as Vertical Flange Mount (PX0579 Series)

### // General Information:

Product Display Title:	Flange Mount IEC Inlets
Product Family:	IEC Connectors
Product Series:	IEC60320 Main Inlets and Outlets
Approvals:	CSA, ENEC, UL
Body Material:	Nylon 66
Current Max:	10A, 15A
Flamability Rating:	UL94V-0
Function:	Flange Mount Connector
iec Connector Colour:	White
iec Connector Mates With:	PX0587, PX0587/SE, PX0588
iec En60620 Type:	EN60 320-1 Standard Sheet C14 Class I
iec Pcb Rear Cover:	Rear Cover
Max Operating Temperature:	+70°C
Min Operating Temperature:	-40°C
Number Of Contacts:	3 Contacts
Voltage Max:	250V

#### // Product PDF Links

[IEC Connectors product data](#)

#### // Product 3D CAD Model Links

[PX0580/PC/WH/12132 3D CAD Model](#)


Have a question or project enquiry  
you'd like to talk to us about?



[Click Here To Contact Us](#)