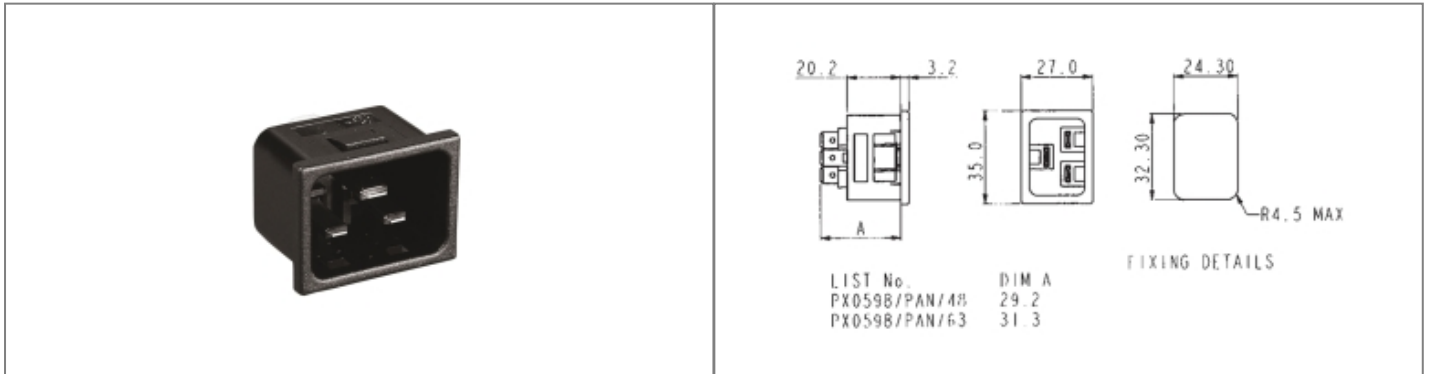


# PX0598/10/48 Datasheet

**Product Name // IEC Connector Snap Fit To Panel C20  
Inlet PX0598 Series 1mm Panel 4.8mm Tab Termination  
EN60 320-1 Standard Sheet C20 Class I**

[View Product Page](#)



## // Product Description:

- ⊞ Snap Fit To Panel Mount C20 IEC Inlets
- ⊞ EN60 320-1 Standard Sheet C19 Class I and Standard Sheet C20 Class I
- ⊞ Cold Condition
- ⊞ Choice of panel thickness depending on part code: /10 - 1mm, /15 - 1.5mm, /20 - 2mm, /30 - 3mm
- ⊞ Choice of Termination depending on part code: /48 - 4.8mm Tab, /63 - 6.3mm Tab
- ⊞ Insulation Boot for rear of connector available separately (part code 14064)
- ⊞ Mate with PX0599

## // General Information:

|                            |  |
|----------------------------|--|
| Product Display Title:     | Snap Fit To Panel Mount C20 IEC Inlets |
| Product Family:            | IEC Connectors                         |
| Product Series:            | IEC60320 Main Inlets and Outlets       |
| Approvals:                 | CSA, ENEC, UL, VDE                     |
| Body Material:             | Nylon 66                               |
| Current Max:               | 16A, 20A                               |
| Flamability Rating:        | UL94V-0                                |
| Function:                  | Panel Mount Connector                  |
| iec Connector Mates With:  | PX0599                                 |
| iec En60620 Type:          | EN60 320-1 Standard Sheet C20 Class I  |
| Max Operating Temperature: | +70°C                                  |
| Min Operating Temperature: | -40°C                                  |
| Max Panel Thickness:       | 1mm                                    |
| Min Panel Thickness:       | 1mm                                    |
| Number Of Contacts:        | 3 Contacts                             |
| Voltage Max:               | 250V                                   |

### // Product PDF Links

[IEC Connectors product data](#)

### // Product 3D CAD Model Links

[PX0598/10/483D CAD Model](#)

### // Product Certificate Links

[UL Certificate](#)