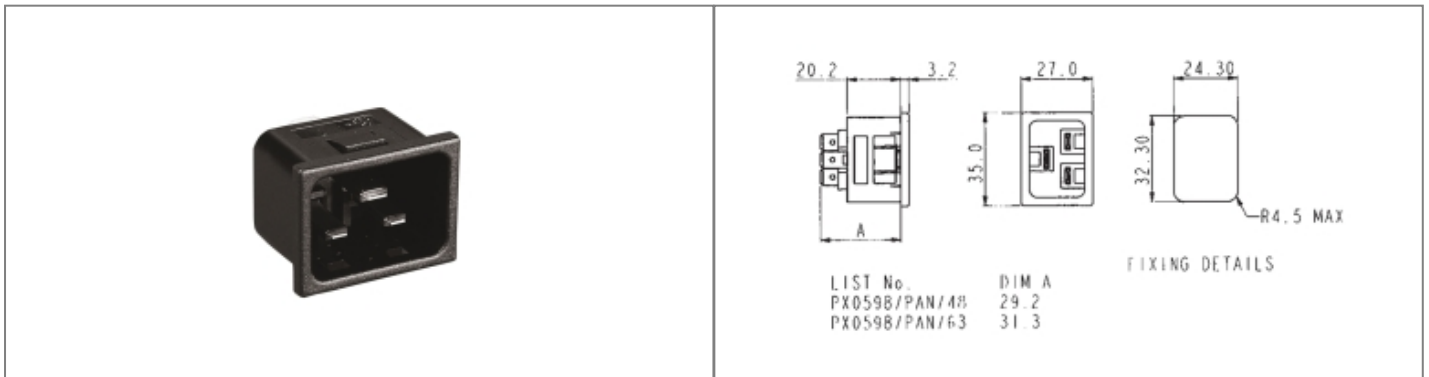


# PX0598/20/63 Datasheet

**Product Name // IEC Connector Snap Fit To Panel C20  
Inlet PX0598 Series 2mm Panel 6.3mm Tab Termination  
EN60 320-1 Standard Sheet C20 Class I**

[View Product Page](#)



## // Product Description:

- ⊕ Snap Fit To Panel Mount C20 IEC Inlets
- ⊕ EN60 320-1 Standard Sheet C19 Class I and Standard Sheet C20 Class I
- ⊕ Cold Condition
- ⊕ Choice of panel thickness depending on part code: /10 - 1mm, /15 - 1.5mm, /20 - 2mm, /30 - 3mm
- ⊕ Choice of Termination depending on part code: /48 - 4.8mm Tab, /63 - 6.3mm Tab
- ⊕ Insulation Boot for rear of connector available separately (part code 14064)
- ⊕ Mate with PX0599

## // General Information:

Product Display Title:	Snap Fit To Panel Mount C20 IEC Inlets
Product Family:	IEC Connectors
Product Series:	IEC60320 Main Inlets and Outlets
Approvals:	CSA, ENEC, UL, VDE
Body Material:	Nylon 66
Current Max:	16A, 20A
Flamability Rating:	UL94V-0
Function:	Panel Mount Connector
iec Connector Mates With:	PX0599
iec En60620 Type:	EN60 320-1 Standard Sheet C20 Class I
Max Operating Temperature:	+70°C
Min Operating Temperature:	-40°C
Max Panel Thickness:	2mm
Min Panel Thickness:	2mm
Number Of Contacts:	3 Contacts
Voltage Max:	250V

### // Product PDF Links

[IEC Connectors product data](#)

### // Product 3D CAD Model Links

[PX0598/20/633D CAD Model](#)

### // Product Certificate Links

[VDE Certificate](#)

[UL Certificate](#)