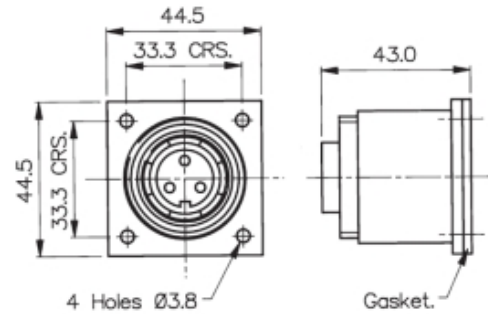


PX0758/P/GY2 Datasheet

Product Name // Bulkhead Flange Mount Connector PX0758 Series 6 Contact Plug Screw Termination (Contacts Supplied Fitted) Grey Insert

[View Product Page](#)


// Product Description:

- ⊕ Bulkhead Flange Mount Connectors
- ⊕ Water and dustproof to IP68 when mated with compatible connector
- ⊕ Screw fixing flange, supplied with sealing gasket and screw sealing grommets
- ⊕ Plug or Socket
- ⊕ 2, 3, 4, 6, 7, 9, 12, 25 Contact with leading Earth contact on 3 Contact Socket versions
- ⊕ Screw, Crimp, Crimp/Solder Terminations available, depending on part code and number of Contacts
- ⊕ Screw contacts supplied fitted, Crimp contacts supplied loose (Crimp/Solder contacts and fitting tools available separately)
- ⊕ Choice of coloured inserts to enable positive visual identification of connector:
- ⊕ Part codes suffixed with a colour code followed by 2 have that colour insert
- ⊕ Colour choices and colour codes: Blue (BL), Green (GN), Grey (GY), Light Grey (LG), Red (RD), White (WH), Yellow (YL), Black (standard colour, no suffix code)
- ⊕ PX0733 Sealing Cap available separately to maintain IP rating of unmated connectors
- ⊕ Mate with PX07 Series Flex Connectors

// General Information:

| | |
|---------------------------------|----------------------------------|
| Product Display Title: | Bulkhead Flange Mount Connectors |
| Product Family: | Circular Power Connectors |
| Product Series: | Standard Buccaneer |
| Approvals: | CSA, UL, VDE |
| Body Material: | Polyamide (PA)- Glass Filled |
| Contact Type: | Plug Contact |
| Coupling Type: | Screw |
| Current Max: | 3A, 5A |
| Diameter Over Coupling Ring Mm: | 38.1mm |
| Flamability Rating: | UL94HB |
| Function: | Bulkhead Flange Mount Connector |
| Insert Colour: | Grey Insert |
| Ip Rating: | IP68, IP69K |
| Max Operating Temperature: | +70°C |
| Min Operating Temperature: | -20°C |
| Number Of Contacts: | 6 Contacts |
| Voltage Max: | 277V |

// Product PDF Links

[Standard Series power connectors...](#)
[Standard Series power connectors...](#)

// Product 3D CAD Model Links

[PX0758/P/GY23D CAD Model](#)