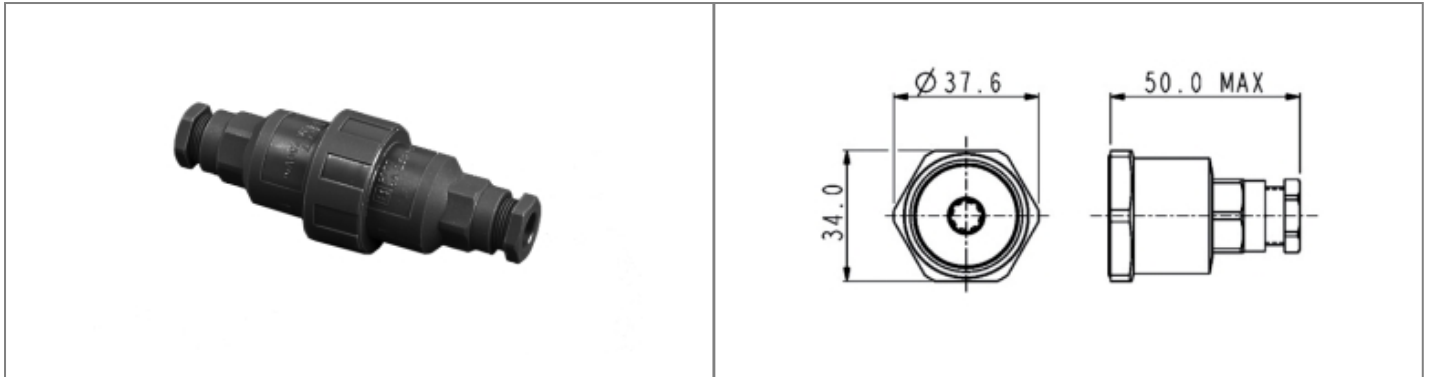


# PX0777/4Contact/OR Datasheet

**Product Name // In-Line Sealed Cable Joiner PX0777  
Series 4 Way Terminal Block 6mm-8mm Cable Orange**

 [View Product Page](#)



## // Product Description:

- ⊕ Sealed In-Line Cable Joiner
- ⊕ Water and dustproof to IP68 when mated with compatible connector
- ⊕ Supplied with 3, 4, 6 or 8 way Terminal Block (for Power connections) or UTP/STP Coupler (for Ethernet connections)
- ⊕ Data connector available with Unshielded (UTP), Shielded (STP) and CAT5e Shielded Couplers
- ⊕ Data connector supplied with three Cable Glands in sizes: 3.5mm-5mm (blue), 5mm-7mm (green), 6mm-8mm (red)
- ⊕ Choice of cable acceptance for Power connector 3.5mm-9mm diameter depending on part code (see data for details)
- ⊕ Cable Glands for differing cable diameters available separately individually or in packs
- ⊕ Choice of body colour depending on part code:
- ⊕ Part codes with suffix /OR - Orange
- ⊕ Part codes with no suffix - Black

## // General Information:

|                                 |                                    |
|---------------------------------|------------------------------------|
| Product Display Title:          | Sealed In-Line Cable Joiner        |
| Product Family:                 | Circular Power Connectors          |
| Product Series:                 | Standard Buccaneer                 |
| Body Colour:                    | Orange                             |
| Body Material:                  | Polyamide (PA)- Glass Filled       |
| Contact Type:                   | Terminal Block                     |
| Coupling Type:                  | Screw                              |
| Current Max:                    | 10A                                |
| Diameter Over Coupling Ring Mm: | 38.1mm                             |
| Flamability Rating:             | UL94V-0                            |
| Function:                       | Flex to Inline Sealed Cable Joiner |
| Ip Rating:                      | IP68, IP69K                        |
| Max Cable Entry Size:           | 8mm                                |
| Min Cable Entry Size:           | 6mm                                |
| Max Operating Temperature:      | +70°C                              |
| Min Operating Temperature:      | -20°C                              |
| Number Of Contacts:             | 4 Contacts                         |
| Voltage Max:                    | 250V                               |

### // Product PDF Links

 [Standard Series power connectors...](#)

### // Product 3D CAD Model Links

 [PX0777/4Contact/OR3D CAD Model](#)