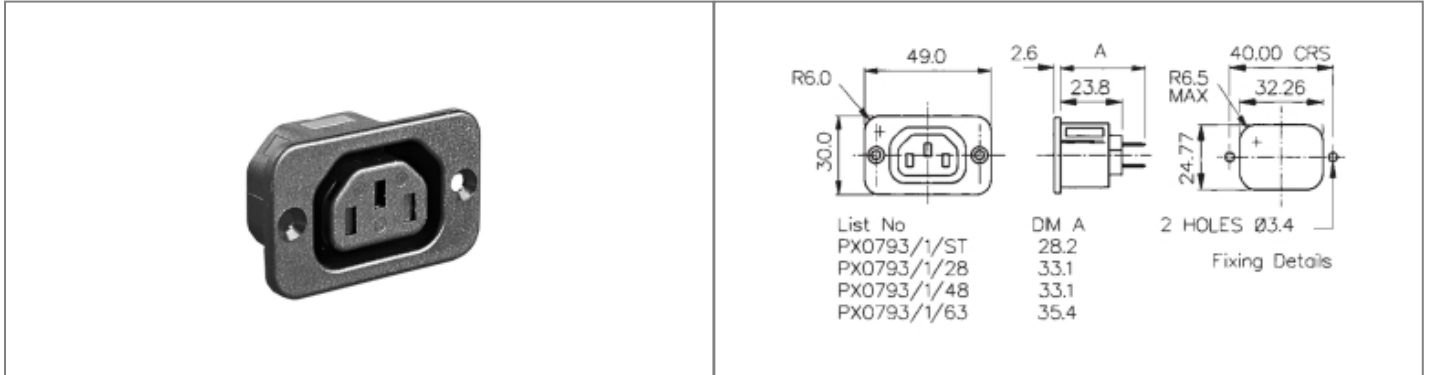


# PX0793/1/48/GY Datasheet

**Product Name // IEC Connector Rectangular Flange Mount  
Shuttered Outlet PX0793 Series Grey 4.8mm Tab  
Termination EN60 320-2-2 Standard Sheet F Class I**

[View Product Page](#)



## // Product Description:

- ⊕ Flange Mount IEC Shuttered Outlets
- ⊕ EN60 320-2-2 Standard Sheet F Class I
- ⊕ Choice of Termination depending on part code: /28 - 2.8mm Solder Tag, /48 - 4.8mm Tab, /63 - 6.3mm Tab, /ST - Solder Tag
- ⊕ Choice of colour depending on part code: /WH - White, /GY - Grey, no suffix - Black (some approvals apply to specific colour and/or Termination choices only - see data for details)
- ⊕ Choice of standard or rectangular flange mount depending on part code (rectangular flange part codes contain /1)
- ⊕ Insulation Boot for rear of connector available separately (part code 12075)
- ⊕ Blanking Cover for front of connector available separately (part code 14228)
- ⊕ Retaining Clip KT0006 available separately to prevent accidental removal of mating connector (for use with PX0686 Female Connector only)
- ⊕ Mate with PX0685, PX0686, PX0686/SE

## // General Information:

Product Display Title:	Flange Mount IEC Shuttered Outlets
Product Family:	IEC Connectors
Product Series:	IEC60320 Main Inlets and Outlets
Body Material:	Nylon 66
Current Max:	10A
Flamability Rating:	UL94V-0
Function:	Flange Mount Connector
iec Connector Colour:	Grey
iec Connector Mates With:	PX0685,PX0686,PX0686/SE
iec En60620 Type:	EN60 320-2-2 Standard Sheet F Class I
Max Operating Temperature:	+70°C
Min Operating Temperature:	-40°C
Number Of Contacts:	3 Contacts
Voltage Max:	250V

### // Product PDF Links

[IEC Connectors product data](#)

### // Product 3D CAD Model Links

[PX0793/1/48/GY3D CAD Model](#)