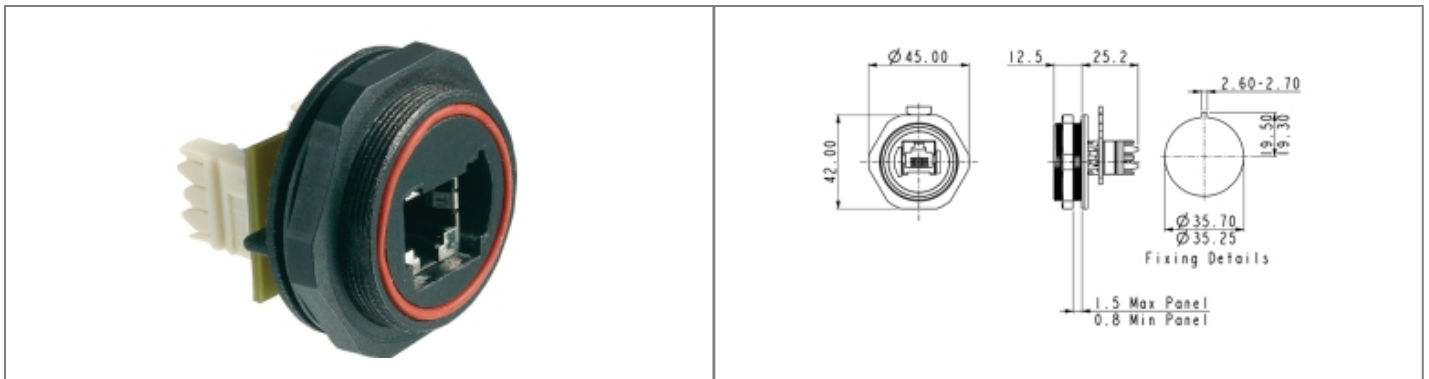


# PX0839/IDC Datasheet

## Product Name // Rear Panel Mount Connector PX0839 Series CAT5e Shielded Socket IDC Blocks

[View Product Page](#)


### // Product Description:

- ⊞ Rear Panel Mount Connector
- ⊞ Water and dustproof to IP68 when mated with compatible connector
- ⊞ CAT5e shielded socket
- ⊞ Supplied with panel sealing gasket
- ⊞ Choice of Termination:
  - ⊞ PX0839/PC has straight PCB pins, for direct vertical mounting to PCB
  - ⊞ PX0839/90 has 90 degree PCB pins, for direct horizontal mounting to PCB
  - ⊞ PX0839/IDC has two IDC blocks, for discrete termination
  - ⊞ PX0711 Sealing Cap available separately to maintain IP rating of unmated connectors
  - ⊞ Mates with PX0834, PX0836, PX0837, PX0838 Standard Series Flex Cable Connectors

### // General Information:

Product Display Title:	Rear Panel Mount Connector
Product Family:	Circular Data Connectors
Product Series:	Standard Buccaneer - Ethernet
Body Material:	Polyester (PET)
Body Material Type:	Plastic Body
Contact Type:	Socket Contact
Coupling Type:	Screw
Current Max:	1.5A
Diameter Over Coupling Ring Mm:	38.1mm
Flamability Rating:	UL94V-0
Function:	Rear Panel Mount Connector
Ip Rating:	IP68, IP69K
Max Operating Temperature:	+70°C
Min Operating Temperature:	-20°C
Number Of Contacts:	8 Contacts
Rohs Compliant:	Yes
Voltage Max:	42V

#### // Product PDF Links

[Standard Series Ethernet...](#)

#### // Product 3D CAD Model Links

[PX0839/IDC3D CAD Model](#)


Have a question or project enquiry  
you'd like to talk to us about?



[Click Here To Contact Us](#)