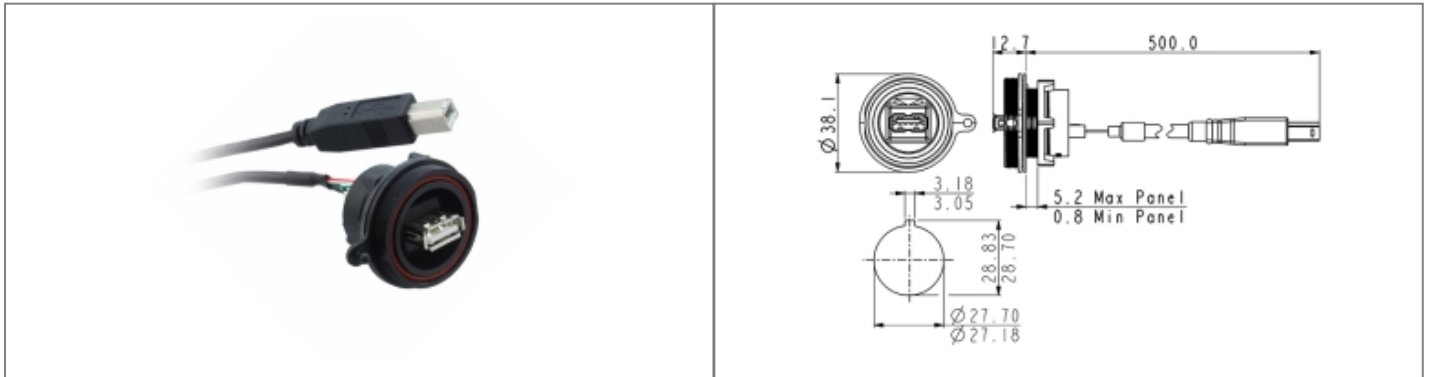


PX0844/A/0M50/B Datasheet

Product Name // Front Panel Mount USB Extension Cable PX0844 Series Sealed A Socket Front of Panel to Standard B Plug 0.5M Cable

[View Product Page](#)


// Product Description:

- ⊕ Front Panel Mount USB Extension
- ⊕ Water and dustproof to IP68 when mated with compatible connector
- ⊕ Sealed Standard USB socket to 500mm long cable terminated in Standard USB plug
- ⊕ PX0844/A/0M50/A has Sealed Standard USB Type A socket on front of panel, Standard USB A plug at rear
- ⊕ PX0844/A/0M50/B has Sealed Standard USB Type A socket on front of panel, Standard USB B plug at rear
- ⊕ PX0844/B/0M50/A has Sealed Standard USB Type B socket on front of panel, Standard USB A plug at rear
- ⊕ PX0844/B/0M50/B has Sealed Standard USB Type B socket on front of panel, Standard USB B plug at rear
- ⊕ PX0733 Sealing Cap available separately to maintain IP rating of unmated connectors
- ⊕ Mate with PX0840, PX0841 USB Cables

// General Information:

Product Display Title:	Front Panel Mount USB Extension
Product Family:	Circular Data Connectors
Product Series:	Standard Buccaneer - Ethernet
Body Material:	Polyester (PE) - Glass Filled
Body Material Type:	Plastic Body
Cable Length:	0.5m
Contact Type:	Socket Contact
Coupling Type:	Screw
Current Max:	1A
Data Cable Type:	USB Sealed A Socket to Standard B Plug
Diameter Over Coupling Ring Mm:	38.1mm
Flamability Rating:	UL94V-0
Function:	Front Panel Mount Connector
Ip Rating:	IP68, IP69K
Max Operating Temperature:	+70°C
Min Operating Temperature:	0°C
Number Of Contacts:	4 Contacts
Voltage Max:	30V

// Product PDF Links

[Standard Series USB connectors...](#)

// Product 3D CAD Model Links

[PX0844/A/0M50/B3D CAD Model](#)