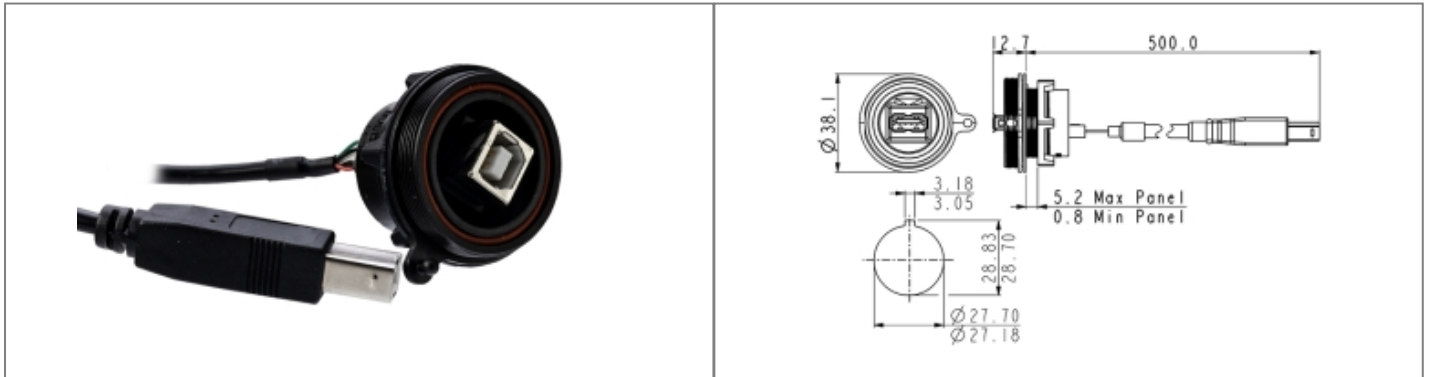


PX0844/B/0M50/B Datasheet

**Product Name // Front Panel Mount USB 2.0 Extension
Cable PX0844 Series Sealed B Socket Front of Panel to
Standard B Plug 0.5M Cable**

 [View Product Page](#)



// Product Description:

- ⊞ Front Panel Mount USB Extension
- ⊞ Water and dustproof to IP68 when mated with compatible connector
- ⊞ Sealed Standard USB 2.0 Type B socket to 500mm long cable terminated in Standard USB 2.0 Type B plug
- ⊞ PX0733 Sealing Cap available separately to maintain IP rating of unmated connectors
- ⊞ Mate with PX0840, PX0841 USB Cables

// General Information:

Product Display Title:	Front Panel Mount USB Extension
Product Family:	Circular Data Connectors
Product Series:	Standard Buccaneer - USB
Body Colour:	Black
Body Material:	Polyester (PE) - Glass Filled
Body Material Type:	Plastic Body
Cable Length:	0.5m
Contact Type:	Socket Contact
Coupling Type:	Screw
Current Max:	1A
Data Cable Type:	USB 2.0 Sealed B Socket to Standard B Plug
Diameter Over Coupling Ring Mm:	38.1mm
Flamability Rating:	UL94V-0
Function:	Front Panel Mount Connector
Ip Rating:	IP68, IP69K
Max Operating Temperature:	+70°C
Min Operating Temperature:	0°C
Number Of Contacts:	4 Contacts
Rohs Compliant:	Yes
Voltage Max:	5V

// Product PDF Links


 [Standard Series USB connectors...](#)

// Product 3D CAD Model Links

 [PX0844/B/0M50/B3D CAD Model](#)



Have a question or project enquiry
you'd like to talk to us about?

 [Click Here To Contact Us](#)