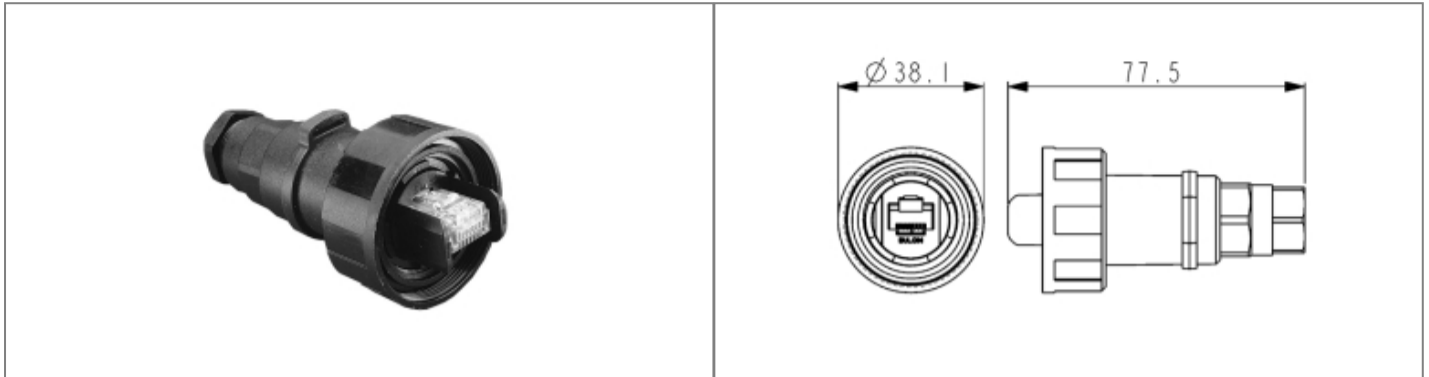


PX0894/B Datasheet

Product Name // Rewireable Flex Connector PX0894 Series For 3.5mm-8mm Cable

[View Product Page](#)


// Product Description:

- ⬢ Rewireable Flex Cable Connector
- ⬢ Water and dustproof to IP68 when mated with compatible connector
- ⬢ Supplied with shielded RJ45 plug
- ⬢ PX0834/A & PX0894/A has Cable Glands optimised for PUR jacket cable to maintain CAT5e & Cat6a performance
- ⬢ PX0834/B & PX0894/B can be used with cable 3.5mm-8mm diameter
- ⬢ PX0835 Sealing Cap available separately to maintain IP rating of unmated connectors
- ⬢ Mate with all PX08 Standard Series RJ45 Panel Mount Connectors

// General Information:

Product Display Title:	Rewireable Flex Cable Connector
Product Family:	Circular Data Connectors
Product Series:	Standard Buccaneer - Ethernet
Body Material:	Polyester (PET)
Body Material Type:	Plastic Body
Contact Type:	Plug Contact
Coupling Type:	Screw
Current Max:	1.5A
Data Cable Type:	IP68 RJ45
Diameter Over Coupling Ring Mm:	38.1mm
Ethernet Category:	Cat 6a
Flamability Rating:	UL94V-0
Function:	Flex Cable Connector
Ip Rating:	IP68, IP69K
Max Cable Entry Size:	8mm
Min Cable Entry Size:	3.5mm
Max Operating Temperature:	+70°C
Min Operating Temperature:	-20°C
Number Of Contacts:	8 Contacts
Voltage Max:	42V

// Product PDF Links

[Standard Series Ethernet...](#)
[PX0834/A and PX0834/B Standard...](#)

// Product 3D CAD Model Links

[PX0894/B3D CAD Model](#)