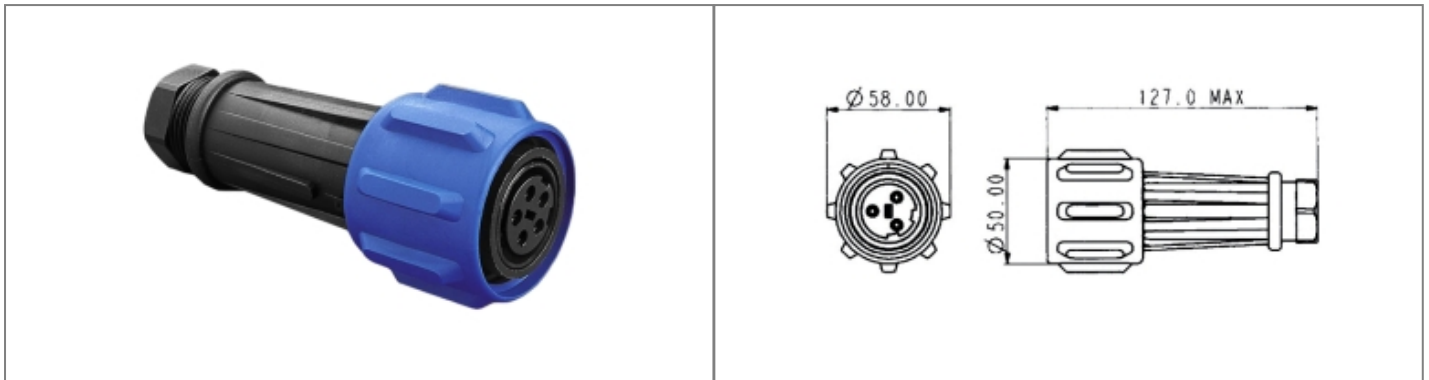


PX0911/10/S/03 Datasheet

Product Name // Flex Cable Connector PX0911 Range 10 Contact Socket 11mm-13mm Cable (Black Gland)

[View Product Page](#)


// Product Description:

- ⊕ Flex Cable Connectors
- ⊕ Water and dustproof to IP68 when mated with compatible connector
- ⊕ Positive fast-acting locking ring - can be turned with a gloved hand
- ⊕ Plug or Socket
- ⊕ 2, 3, 4, 5, 7, 10 Contact with leading Earth on 3, 4, 5, 7 Contact versions, trailing Neutral on 5 Contact version
- ⊕ Screw Terminals
- ⊕ Choice of cable acceptance 7mm-22mm diameter depending on part code (see data for details):
 - ⊕ PX09 part codes 7mm-15mm diameter
 - ⊕ PXA9 part codes (large cable version with strain relief clamp) 14mm-22mm diameter
- ⊕ Packs of Cable Glands for differing cable diameters available separately (PX0980, PXA980)
- ⊕ PX0960/PX0990 Sealing Caps available separately to maintain IP rating of unmated connectors
- ⊕ Mate with PX09 or PXA9 Series Flex and Panel Mount Connectors, as appropriate

// General Information:

| | |
|---------------------------------|---------------------------|
| Product Display Title: | Flex Cable Connectors |
| Product Family: | Circular Power Connectors |
| Product Series: | 900 Series Buccaneer |
| Approvals: | UL |
| Body Material: | Polyamide (PA) |
| Body Material Type: | Plastic Body |
| Contact Type: | Socket Contact |
| Coupling Type: | Screw |
| Current Max: | 10A |
| Diameter Over Coupling Ring Mm: | 58mm |
| Flamability Rating: | UL94V-0 |
| Function: | Flex Cable Connector |
| Ip Rating: | IP68 |
| Max Cable Entry Size: | 13mm |
| Min Cable Entry Size: | 11mm |
| Max Contact Accomodation Awg: | 18AWG |
| Min Contact Accomodation Awg: | 14AWG |
| Max Contact Accomodation Mm2: | 2.5mm ² |
| Min Contact Accomodation Mm2: | 0.75mm ² |
| Max Operating Temperature: | +85°C |
| Min Operating Temperature: | -40°C |
| Number Of Contacts: | 10 Contacts |
| Voltage Max: | 250V |

// Product PDF Links

[900 Series power connectors...](#)
[900 Series power connectors wiring...](#)

// Product 3D CAD Model Links

[PX0911/10/S/033D CAD Model](#)


Have a question or project enquiry
you'd like to talk to us about?

[Click Here To Contact Us](#)