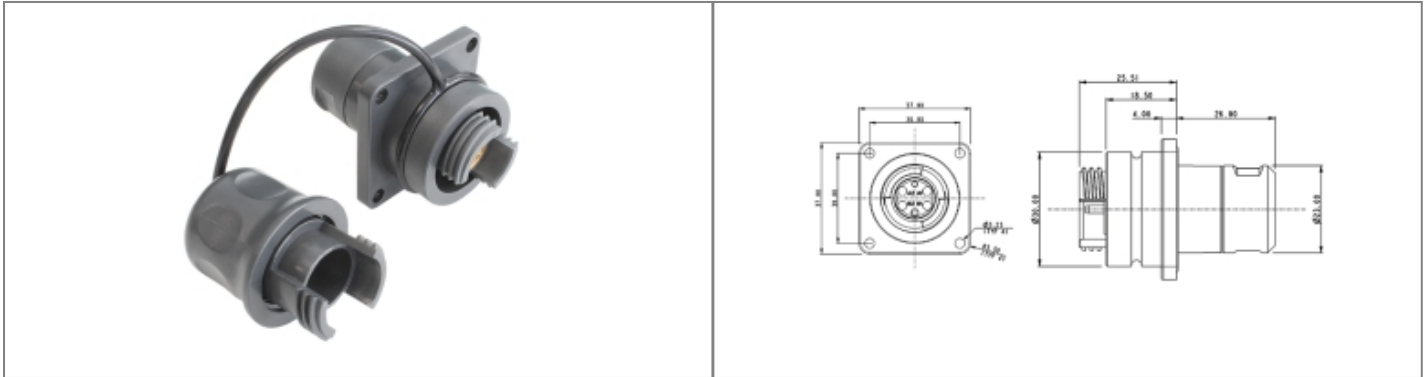


# PXEB5420MM Datasheet

## Product Name // 4 Channel Flange Mount Bulkhead Connector

[View Product Page](#)


### // Product Description:

- ⊗ Non-terminated Flange Mount Bulkhead Connector for 4 Multimode patch leads
- ⊗ Designed to MIL-DTL83526D
- ⊗ Compatible with any connector that follows MIL-DTL83526D
- ⊗ Compatible with OM1 & OM3
- ⊗ Dust Cap, Lanyard, and Ferrules (termini) for the Cable Included
- ⊗ Mates with Plug Connectors (hermaphroditic)
- ⊗ Operating Temperature -50°C to +80°C
- ⊗ Available in 2 Channel
- ⊗ Cable Assembly Available

### // General Information:

Product Display Title:	4 Channel Flange Mount Bulkhead Connector
Product Family:	Circular Fiber Connectors
Product Series:	5000 Series Expanded Beam
Max Insertion Loss:	<2dB
Avg Insertion Loss:	<1.5dB
Body Colour:	Dark Grey
Body Material:	Polycarbonate/Polybutylene Terephthalate (PC/PBT)
Body Material Type:	Plastic Body
Contact Type:	Expanded Beam
Coupling Type:	Screw
Diameter Over Coupling Ring Mm:	30mm
Fibre Mode:	MM
Flamability Rating:	UL94V-0
Function:	EB Flange Mount Bulkhead Connector
Ip Rating:	IP68
Material Finish:	Matt
Max Operating Temperature:	+80°C
Min Operating Temperature:	-50°C
Rohs Compliant:	Yes

#### // Product PDF Links

[5000 Series Expanded Beam Product...](#)

#### // Product 3D CAD Model Links

[PXEB5420MM3D CAD Model](#)


Have a question or project enquiry  
you'd like to talk to us about?



[Click Here To Contact Us](#)