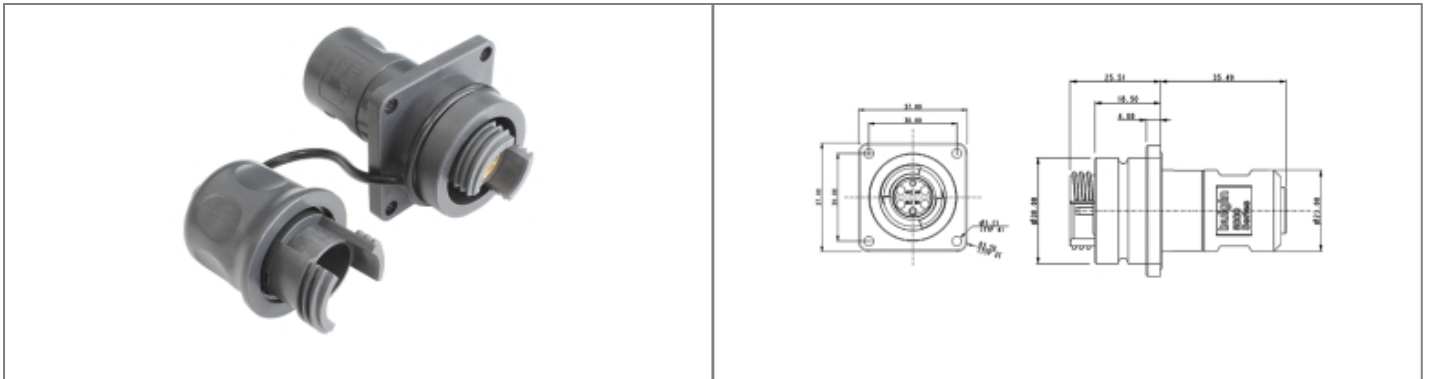


**Product Name // 4 Channel Flange Mount Bulkhead Connector with Cable Retention**
[View Product Page](#)

**// Product Description:**

- ⬢ Non-terminated Flange Mount Bulkhead Connector for a 4-Channel Multimode Cable with 4-4.5mm Diameter
- ⬢ Designed to MIL-DTL83526D
- ⬢ Compatible with any connector that follows MIL-DTL83526D
- ⬢ Compatible with OM1 & OM3
- ⬢ Dust Cap, Lanyard, and Ferrules (termini) for the Cable Included
- ⬢ Mates with Plug Connectors (hermaphroditic)
- ⬢ Operating Temperature -50°C to +80°C
- ⬢ Available in 2 Channel

**// General Information:**

Product Display Title:	4 Channel Flange Mount Bulkhead Connector with Cable Retention
Product Family:	Circular Fiber Connectors
Product Series:	5000 Series Expanded Beam
Max Insertion Loss:	<2dB
Avg Insertion Loss:	<1.5dB
Body Colour:	Dark Grey
Body Material:	Polycarbonate/Polybutylene Terephthalate (PC/PBT)
Body Material Type:	Plastic Body
Contact Type:	Expanded Beam
Coupling Type:	Screw
Diameter Over Coupling Ring Mm:	30mm
Fibre Mode:	MM
Flamability Rating:	UL94V-0
Function:	EB Flange Mount Bulkhead Connector
Ip Rating:	IP68
Material Finish:	Matt
Max Cable Entry Size:	4.5mm
Min Cable Entry Size:	4mm
Max Operating Temperature:	+80°C
Min Operating Temperature:	-50°C
Rohs Compliant:	Yes

**// Product PDF Links**
[5000 Series Expanded Beam Product...](#)
**// Product 3D CAD Model Links**
[PXEB5420MM40453D CAD Model](#)