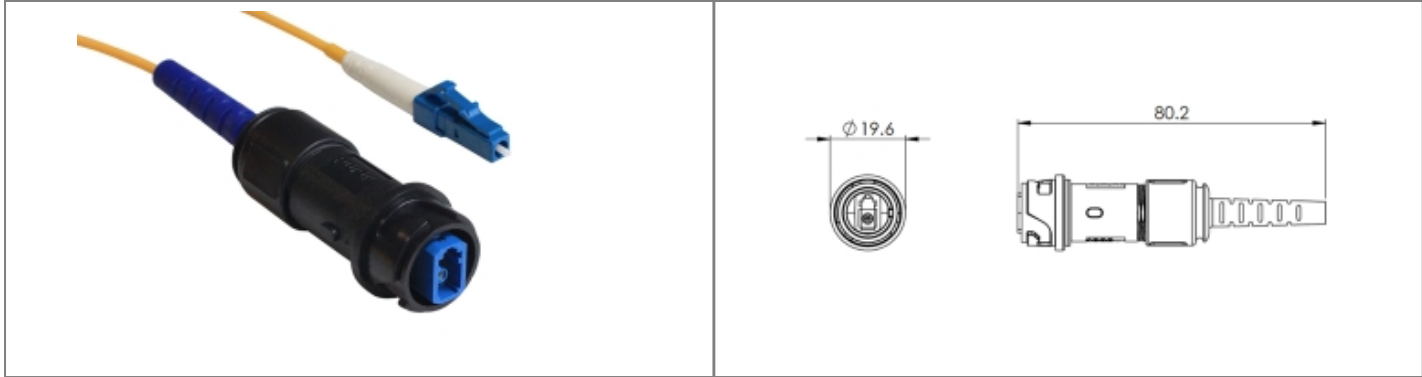


PXF4051AAH Datasheet

Product Name // 300 M, Single Mode, Cabled, Inline fiber connector

[View Product Page](#)



// Product Description:

- ⊞ Inline Fiber Connector to LC type Connector
- ⊞ Sealed to IP66, IP68, IP69K when mated with compatible connector
- ⊞ no cable options, or pre-terminated from 5M - 450M available
- ⊞ Simplex LC type fiber connector
- ⊞ Choices of OS1, OM1 and OM3 cables for single or multimode
- ⊞ PXP4082 Sealing Cap available separately to maintain IP rating of unmated connectors
- ⊞ Mate with flex fiber connector PXF4050

// General Information:

| | |
|---------------------------------|---|
| Product Display Title: | Inline Fiber Connector to LC type Connector |
| Product Family: | Circular Fiber Connectors |
| Product Series: | 4000 Series - Simplex LC Fiber Buccaneer |
| Body Material: | Polycarbonate/Polybutylene Terephthalate (PC/PBT) |
| Contact Type: | LC Fiber |
| Coupling Type: | 30 Degree coupling |
| Diameter Over Coupling Ring Mm: | 19.7mm |
| Fibre Mode: | OS1 |
| Flamability Rating: | UL94V-0 |
| Function: | Inline to LC Connector Double Ended Fiber Cable |
| Ip Rating: | IP66, IP68, IP69K |
| Max Operating Temperature: | +70°C |
| Min Operating Temperature: | -20°C |

// Product PDF Links

[4000 Series Fiber connectors...](#)

// Product 3D CAD Model Links

[PXF4051AAH3D CAD Model](#)