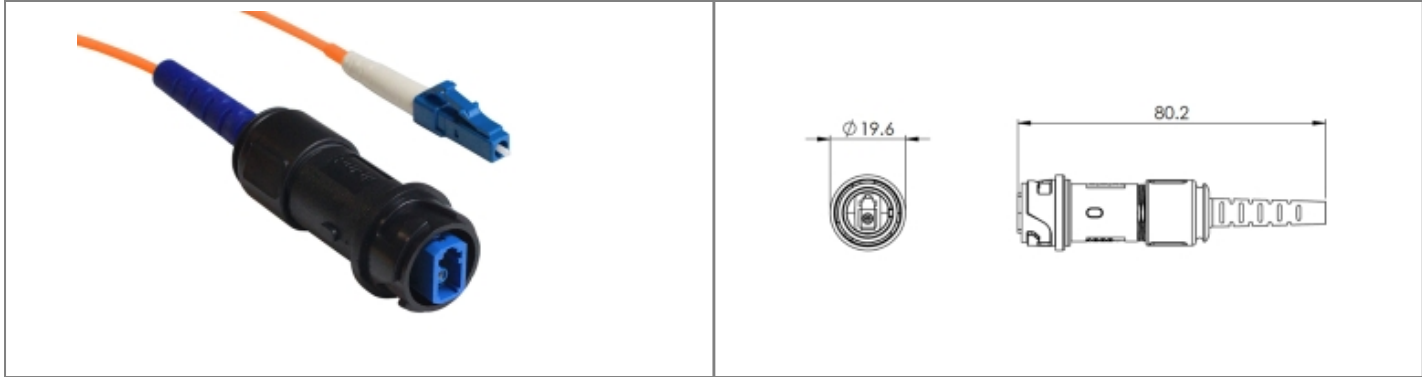


# PXF4051BAF Datasheet

**Product Name // 150 M, Multimode, Cabled, Inline fiber connector**

[View Product Page](#)



**// Product Description:**

- ⊕ Inline Fiber Connector to LC type Connector
- ⊕ Sealed to IP66, IP68, IP69K when mated with compatible connector
- ⊕ no cable options, or pre-terminated from 5M - 450M available
- ⊕ Simplex LC type fiber connector
- ⊕ Choices of OS1, OM1 and OM3 cables for single or multimode
- ⊕ PXP4082 Sealing Cap available separately to maintain IP rating of unmated connectors
- ⊕ Mate with flex fiber connector PXF4050

**// General Information:**

Product Display Title:	Inline Fiber Connector to LC type Connector
Product Family:	Circular Fiber Connectors
Product Series:	4000 Series - Simplex LC Fiber Buccaneer
Body Material:	Polycarbonate/Polybutylene Terephthalate (PC/PBT)
Contact Type:	LC Fiber
Coupling Type:	30 Degree coupling
Diameter Over Coupling Ring Mm:	19.7mm
Fibre Mode:	OM1
Flamability Rating:	UL94V-0
Function:	Inline to LC Connector Double Ended Fiber Cable
Ip Rating:	IP66, IP68, IP69K
Max Operating Temperature:	+70°C
Min Operating Temperature:	-20°C

**// Product PDF Links**

[4000 Series Fiber connectors...](#)

**// Product 3D CAD Model Links**

[PXF4051BAF3D CAD Model](#)